

ATTITUDE

REFRIGERATOR Instruction Manual

Model: AT16BF

16131000A03282



To ensure proper use of the appliance and your safety,
please read the following instructions completely
before operating the appliance.

Table of Contents

Important Safety Instructions.....	2
Installation.....	4
Door Reversal Instructions.....	5
Temperature Control.....	7
Refrigerator Components.....	8
Troubleshooting Guide.....	9

SERIAL/MODEL NUMBERS AND IMPORTANT SAFETY INSTRUCTIONS

Read and Save These Instructions

This Instruction Manual provides specific operating instructions for your model. Use your refrigerator only as instructed in this guide. These instructions are not meant to cover every possible condition and situation that may occur. Common sense and caution must be practiced when installing, operating and maintaining any appliance.

Record Your Model and Serial Numbers

Record the model and serial numbers in the space provided below. The serial plate is located on the upper left wall inside the refrigerator.

Model Number: _____

Serial Number: _____

Purchase Date: _____

⚠ WARNING

Please read all instructions before using this refrigerator.

Definitions

⚠ This is the safety alert symbol. It is used to alert you to potential personal injury hazards. Obey all safety messages that follow this symbol to avoid possible injury or death.

⚠ DANGER

DANGER indicates an imminently hazardous situation which, if not avoided, will result in death or serious injury.

⚠ WARNING

WARNING indicates a potentially hazardous situation which, if not avoided, could result in death or serious injury.

⚠ CAUTION

CAUTION indicates a potentially hazardous situation which, if not avoided, may result in minor or moderate injury.

➡ IMPORTANT

IMPORTANT indicates installation, operation or maintenance information which is important but not hazard-related.

⚠ WARNING

For Your Safety

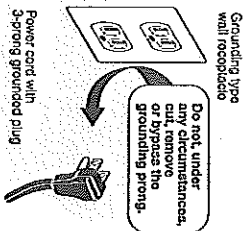
Do not store or use gasoline, or other flammable vapors and liquids, in the vicinity of this or any other appliances. Read product labels for flammability and other warnings.

⚠ WARNING

Electrical Information

- The refrigerator must be plugged into its own dedicated 115V, 60Hz, 15 Amp, AC only electrical outlet. The power cord of the appliance is equipped with a 3-prong grounding plug for your protection against electrical shock hazards. It must be plugged directly into a properly grounded 3-prong receptacle. The receptacle must be installed in accordance with local codes and ordinances. Consult a qualified electrician. Avoid connecting the refrigerator to a ground fault interruptor (GFI) circuit. **Do not use an extension cord or adaptor plug.**

- If the power cord is damaged, it should be replaced by an authorized service technician to prevent any risk.
- Never unplug the refrigerator by pulling on the power cord. Always grip the plug firmly, and pull straight out from the receptacle to prevent damaging the power cord.
- Unplug the refrigerator before cleaning and before replacing a light bulb to avoid electrical shock.
- Performance may be affected if the voltage varies by 10% or more. Operating the refrigerator with insufficient power can damage the compressor. Such damage is not covered under your warranty.
- Do not plug the unit into an electrical outlet controlled by a wall switch or pull cord to prevent the refrigerator from being turned off accidentally.



IMPORTANT SAFETY INSTRUCTION

⚠ WARNING

Child Safety

- Destroy carton, plastic bags and any exterior wrapping material immediately after the refrigerator is unpacked. Children should never play with these items. Cartons covered with rugs, bedspreads, plastic sheets or stretch wrap may become airtight chambers and can quickly cause suffocation.
- Remove all staples from the carton. Staples can cause severe cuts and destroy finishes if they come in contact with other appliances or furniture.
- Keep all empty, discarded refrigerators out of the reach of children.
- Remove the door(s) of any appliance that is not used, even if it is being discarded.

⚠ WARNING

Proper Disposal of Your Refrigerator

Risk of Child Entrapment

Child entrapment and suffocation are not problems of the past. Junked or abandoned refrigerators are still dangerous – even if they will sit for just a few days! If you are getting rid of your old refrigerator, please follow the instructions below to help prevent accidents. We strongly encourage responsible appliance recycling/disposal methods. Check with your utility company or visit www.recyclingoldfridge.com for more information about recycling your old refrigerator.

Before you throw away your old refrigerator:

- Remove the doors.
- Leave the shelves in place so children may not easily climb inside.
- Have the refrigerator removed by a qualified service technician.

INSTALLATION

This use and care guide provides general operating instructions for your model. Use the refrigerator only as instructed in this manual. **Before starting the refrigerator, follow these important first steps.**

Location

- Choose a place that is near a grounded electrical outlet. **Do Not** use an extension cord or an adaptor plug.
- To operate the most efficiently, the refrigerator should be located where surrounding temperatures will not drop below 10°F (-12°C) or exceed 110°F (43°C). The Freeze Control Feature is designed to automatically maintain the selected interior refrigerator temperature within these boundaries.
- Allow space around the unit for good air circulation. Leave a 4-inch (101.6mm) space on the back and 3 inches (76.2mm) on the sides of the refrigerator for adequate circulation.

NOTE

The exterior walls of the refrigerator may become quite warm as the compressor works to transfer heat from the inside. Temperatures as much as 30°F warmer than room temperature can be expected. For this reason, it is particularly important in hotter climates to allow enough space for air circulation around your refrigerator.

Leveling

The refrigerator must have all bottom corners resting firmly on a solid floor. The floor must be strong enough to support a fully loaded refrigerator. **NOTE:** It is very important for your refrigerator to be level in order to function properly. If the refrigerator is not leveled during installation, the door may be misaligned and not close or seal properly, causing cooling, frost or moisture problems.

How to Level Your Refrigerator

After removing all interior and exterior packaging materials, and discarding crating screws and wood base, use a carpenter's level to level the refrigerator from front-to-back. Adjust the leveling feet in front, a half bubble higher, so that the door closes easily when left half-way open.

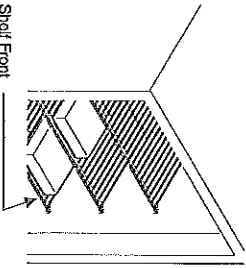
ENERGY SAVING TIPS

Cleaning

- Wash any removable parts of the refrigerator interior and exterior with a mild detergent and warm water. Wipe dry. Do not use harsh cleaners on these surfaces.
- Do not use razor blades or other sharp instruments, which can scratch the appliance surface when removing adhesive labels. Any glue left from the tape can be removed with a mixture of warm water and mild detergent, or touch the residue with the sticky side of the tape already removed. Do not remove the serial plate.

CAUTION

To allow the door to close and seal properly, **DO NOT** let food packages extend past the front of shelves.



Shelf Front

ENERGY SAVING TIPS

- Install the refrigerator in the coolest part of a dry and ventilated room, out of direct sunlight and away from heating ducts or registers. Do not place the refrigerator next to heat-producing appliances such as a range, oven or dishwasher.
- Level the refrigerator so the door closes tightly.
- Do not overcrowd the refrigerator or block cold air vents. Doing so causes the refrigerator to run longer and use more energy. Shelves should not be lined with aluminum foil, wax paper or paper towels. Liners interfere with cold air circulation, making the refrigerator less efficient.
- Wipe bottles and containers dry before placing them in the refrigerator. This cuts down on moisture build-up inside the unit.
- Organize the refrigerator to reduce door openings. Remove as many items as needed at one time, and close the door as soon as possible.

DOOR REVERSAL INSTRUCTIONS

Caution: To avoid injury to yourself and/or property, we recommend someone assist you during the door reversal process.

NOTE:

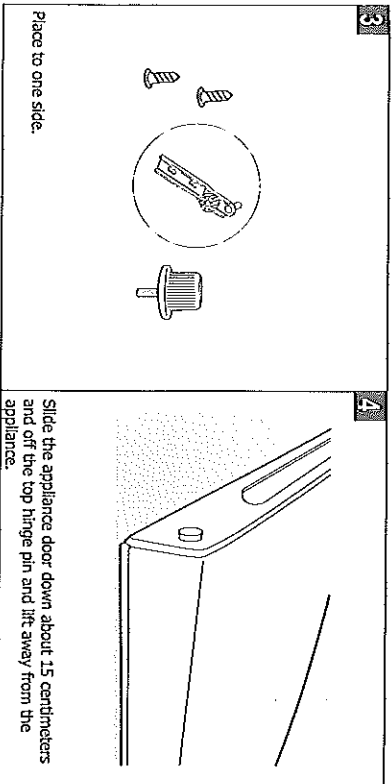
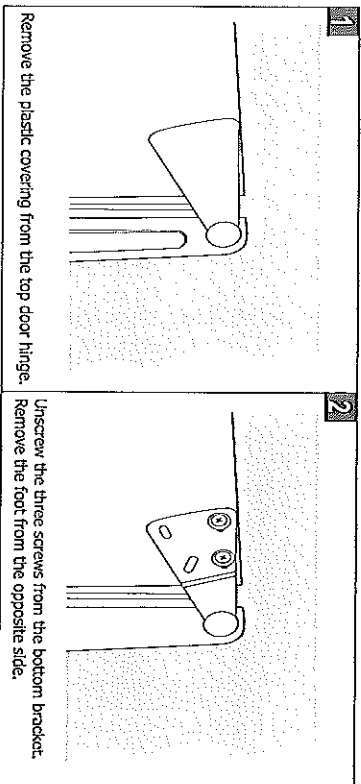
Ensure the appliance is unplugged and empty. Adjust the two leveling feet to their highest position. We recommend you have someone to assist you.

Tools Required:

Cross-head screw driver

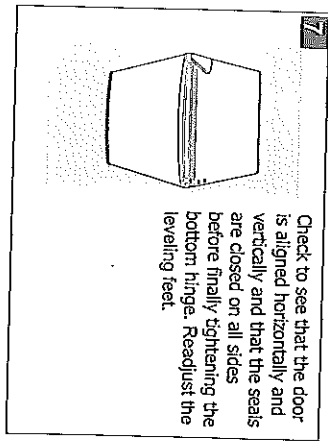
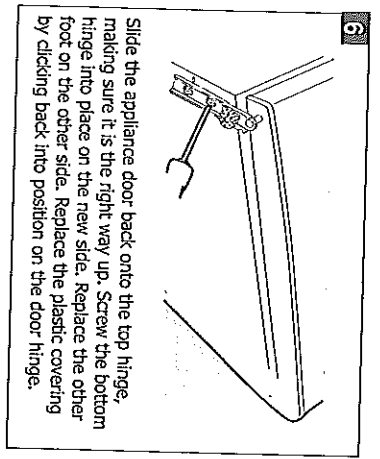
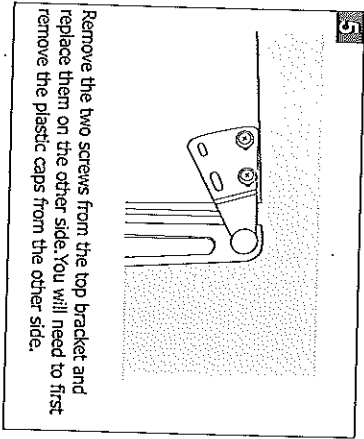
To take the door off, it is necessary to tilt the appliance backward. You should rest the appliance on something solid like a chair just below the top panel so you can access the bottom of the refrigerator.

DO NOT lay the appliance completely flat as this may damage the coolant system.



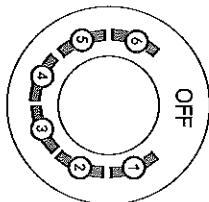
DOOR REVERSAL INSTRUCTIONS

Continued

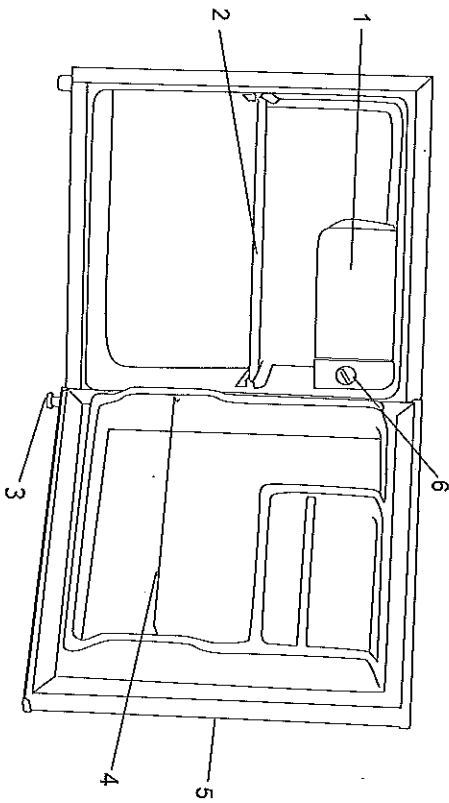


TEMPERATURE CONTROL

- The first time you turn the unit on, adjust the temperature control knob to 3 and give your refrigerator time to cool down completely before adding food. A full 24 hours is recommended for a complete cool down.
 - After the refrigerator has fully cooled, check the interior temperature, and adjust the control knob, toward 1 for the least amount of coolness or toward 6 for the maximum amount, if that best suits your needs.
- Note: Turning the temperature control knob to the OFF position will stop the cooling cycle, but it does not shut off power to the unit.



REFRIGERATOR COMPONENTS



- 1. Small door
- 2. Shelf
- 3. Leveling feet
- 4. Wire shelf
- 5. Door
- 6. Thermostat

TROUBLESHOOTING GUIDE

PROBLEM	CAUSE	CORRECTION
REFRIGERATOR OPERATION		
Refrigerator does not run.	<ul style="list-style-type: none"> Refrigerator is plugged into a circuit that has a ground fault interrupter (GFI). Temperature control is in the OFF position. Refrigerator may not be plugged in, or plug may be loose. A house fuse has blown or a circuit breaker has tripped. Power outage. 	<ul style="list-style-type: none"> Use another circuit. If you are unsure about the outlet, have it checked by a certified technician. See TEMPERATURE CONTROL Section. Ensure the plug is tightly pushed into outlet.
Refrigerator runs too much or too long.	<ul style="list-style-type: none"> Room or outside weather is hot. Refrigerator has recently been disconnected for a period of time. Large amounts of warm or hot food has been stored recently. The door is opened too frequently or for too long. Refrigerator door may be slightly open. Temperature control is set too low. Refrigerator gasket is dirty, worn, cracked or poorly fitted. 	<ul style="list-style-type: none"> Warm food will cause refrigerator to run more until the desired temperature is reached. Warm air entering the refrigerator causes it to run more often. Open door less often. See DOOR PROBLEMS Section. Turn control knob to a warmer setting. Allow several hours for the temperature to stabilize. Clean or change gasket. Leaks in the door seal will cause refrigerator to run longer in order to maintain desired temperature. Turn the control to a warmer setting. Allow several hours for the temperature to stabilize.
Interior refrigerator temperature is too cold.	<ul style="list-style-type: none"> Temperature control is set too low. 	<ul style="list-style-type: none"> Turn the control to a colder setting. Allow several hours for the temperature to stabilize. Warm air entering the refrigerator causes it to run more. Open door less often. See the DOOR PROBLEMS Section.
Interior refrigerator temperature is too warm.	<ul style="list-style-type: none"> Temperature control is set too warm. Door is opened too frequently or for too long. Door may not be closing properly. Large amounts of warm or hot food has been stored recently. Refrigerator has recently been disconnected for a period of time. 	<ul style="list-style-type: none"> Warm food will cause refrigerator to run more until the desired temperature is reached. It takes 4 hours for the refrigerator to cool down completely.
Refrigerator external surface temperature is warm.	<ul style="list-style-type: none"> The external refrigerator walls can be as much as 30°F warmer than room temperature. 	<ul style="list-style-type: none"> This is normal while the compressor works to transfer heat from inside the refrigerator cabinet.
SOUND AND NOISE		
Louder sound levels when refrigerator is on.	<ul style="list-style-type: none"> Modern refrigerators have increased storage capacity and more stable temperatures. They require a high-efficiency compressor. 	<ul style="list-style-type: none"> This is normal. When the surrounding noise level is low, you might hear the compressor running while it cools the interior.