



GRILLE

**DROP IN COOKTOP**

[Model No.: D-2728]

## **Instruction Manual**

QAI File Number: REC607-2

**Installer: Leave this manual with the appliance.**

**Consumer: Retain this manual for future reference.**

**WARNING:** If the information in this manual is not followed exactly, a fire or explosion may result causing property damage, personal injury or death.

—Do not store or use gasoline or other flammable vapors and liquids in the vicinity of this or any other appliance.

—WHAT TO DO IF YOU SMELL GAS

- Do not try to light any appliance.
- Do not touch any electrical switch.
- Do not use any phone in your recreational vehicle.
- Clear the recreational vehicle of all occupants.
- Turn off the gas supply tank valve(s) or main gas supply.
- Immediately call your gas supplier for instructions.
- If you cannot reach your gas supplier, call the fire department.

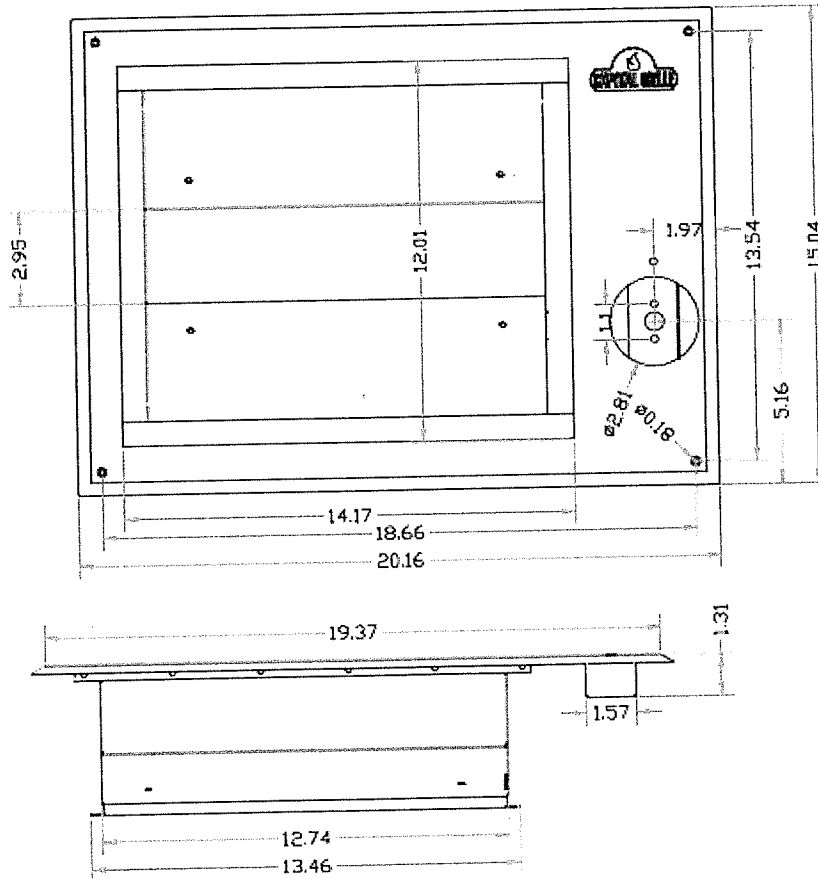
—Have the gas system checked and leakage source corrected by a qualified installer, service agency, manufacturer or dealer or the gas supplier.

- The installation must conform with state or other codes or, in the absence of such codes, to the *Standards for Recreational Vehicles, ANSI/NFPA 1192 or CSA Z240 RV Series*.
- The gas supply pressure for checking the regulator setting. [The pressure stated shall be at least 1 in W.C. (249 Pa) above the manufacturer's specified manifold pressure.]
- Installation and service must be performed by a qualified installer, service agency or the gas supplier.
- The installation of this unit must conform with local codes or in the absence of local codes, with the National Fuel Gas Code, CAN1-1.16-M79(R2011) "Propane Fired Cooking Appliances for Recreational Vehicles" & ANSI Z 21.57a-2010 & ANSI Z21.57-2012 "Recreational Vehicle Cooking Gas Appliances".
- The installation of appliances designed for Recreational Park Trailers must conform with state or other codes or, in the absence of such codes, to the Standard for Recreational Park Trailers.

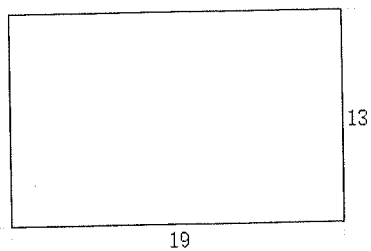
## Preparing and Installing the Cooktop

### Cut Out Dimensions, Clearance

Dimensions of Unit (inch)

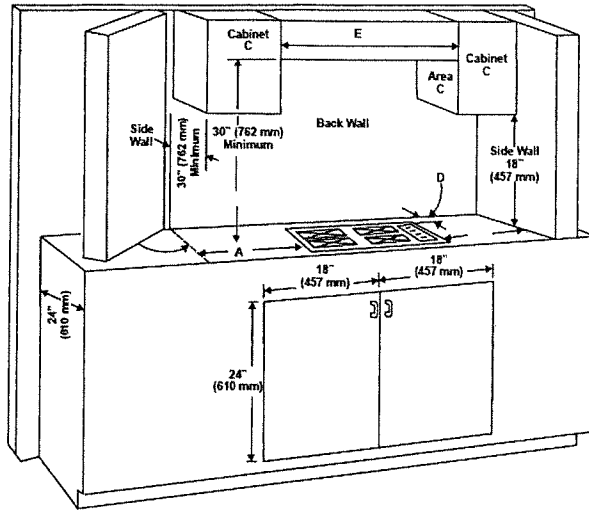


Cut out Dimension (inch) for the counter top



\*Cut a hole according to the above drawing picture for the insert of the grill.

Diagram detailing:



Dimensions "A," "B," "D" and "E" specified by manufacturer.  
("E" not less than nominal width of appliance)

Suggested distance

A: 6"

B: 6"

D: 6"

E: 36"

**Installation of the Grill** with the *Standards for Recreational Vehicles,*  
*ANSI/NFPA 1192 or CSA Z240 RV Series.*

Your Capital Grille is designed to fit into a counter top.

Cut out of 17"X 13" is required in the counter top.

Combustible wall clearance must be maintained.

After cutting the recommended opening in the counter top, place the grill into the opening and secure the unit in place by screwing four screws into the 4 corner holes on the cooktop to attach to counter.

Connect your gas line to the 3/8" pipe supplied with your RV.

A safety shut off valve must be installed in an accessible location in the gas line external to the appliance for the purpose of turning on of shutting off the gas to the appliance.

**WARNING:** After the installation is complete the cooktop and all gas connections must be checked for leaks, see below for Leak Check Instructions.

## Checking For Leaks

After installing the grill or after any service or repair you must check all gas connections for leaks.

Spray or brush a solution of 50% water and 50% liquid soap on to all gas connections and the valve. See Figure E. Make sure the gas is turned on and wait up to five minutes. If bubbles appear there is a leak.

To repair the leak, tighten the connection. If the leak persists, shut off the gas and get a qualified service technician to repair the leak.

Liquefied Petroleum (LP) and Natural Gas have an odorant added to the gas. If you smell an odor, you may have a gas leak. Follow the leak check instructions above. If you are unable to find and repair the leak, shut the gas off and call a qualified service technician or your gas company.

**WARNING:** When checking for or repairing leaks or if you smell gas, extinguish all flames and do not turn on any device that could cause a spark such as lights, power tools, cooking appliances or this grill. If you cannot repair the leak, turn the gas off and call a qualified service technician to repair the leak.

**WARNING:** Never use a flame to check for leaks.  
Doing so may cause serious injury, property damage or death.

## Ventilation Requirements

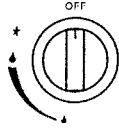
**CAUTION:** Your Grill requires proper ventilation.

The grill is designed for Recreational Vehicle outdoor use, and not designed specifically for indoor use. The grill is designed to be used in outside, however, if used indoor, please be sure a minimum of 600CFM Internal Blower or 900 CFM External blower ventilation hood is required over your Grill. The maximum height above the cooking surface is 30" to the bottom of the hood. The hood must overlap the cooking surface a minimum of 3" on each side.

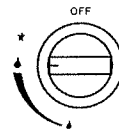
See your local appliance dealer for a hood that meets these specifications.

**WARNING:** The appliance should not be installed with a ventilation system that blows air downward toward the range since this type of the ventilation system may cause ignition and combustion problems with the gas cooking appliance resulting in personal injury or unintended operation.

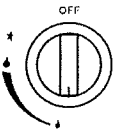
## Operation



A. The grill is shut off when the knob is in this position



B. Push and Turn the knob to this position, the grill is in maximum flame.



C. Turn the knob to this position for the minimal Flame.

You can turn the knob from B to C to get the best flame for your BBQ cooking. And turn the knob back to A to shut off the grill.

***Please be sure to shut off the gas valve after you turn off the grill.***

This instruction is based on safety considerations.



### WARNING

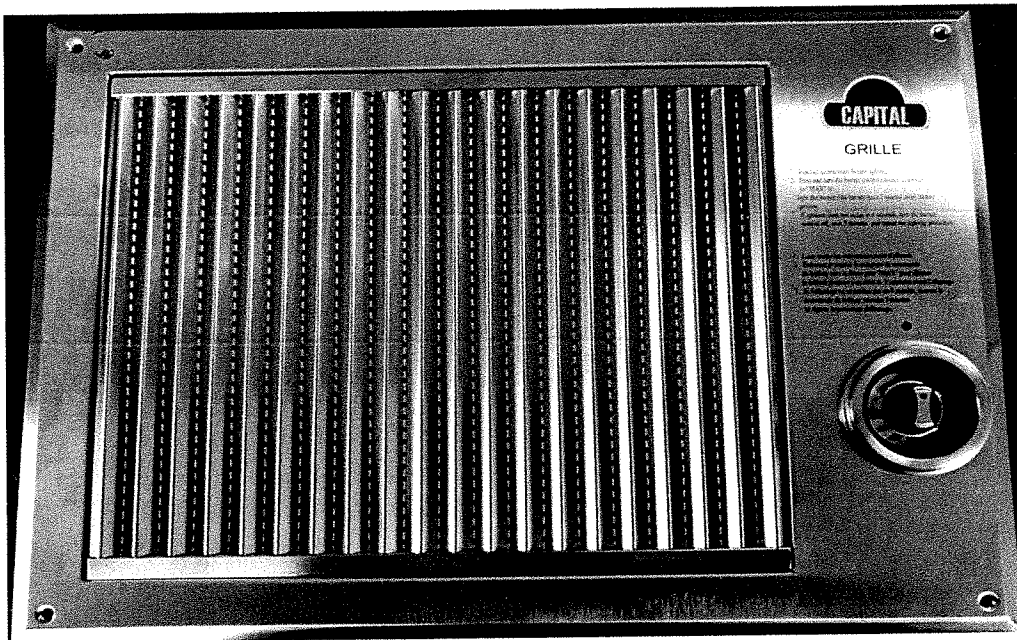
**NEVER** use this appliance as a space heater to heat or warm the room. Doing so may result in carbon monoxide poisoning and overheating of the BBQ grill.

## Care & Maintenance

Your Grill requires occasional cleaning. Use only non-abrasive cleaners or degreasers designed for use on Stainless Steel when cleaning your Grill. Always apply a Stainless Shine product such as Sheila Shine to all external Parts of your grill after cleaning. This will keep the finish of your grill like new for many years. Keeping the grill clean will also prevent fires and flare ups. Always follow the manufacturers' directions & warnings when using cleaners & degreasers. The Cooking Grid should be cleaned after each use with a wire brush. When needed, it should be cleaned with soap & water. There is a grease drip pan underneath of the grill that should be cleaned frequently.

**The Spade, Drip Pan, and cooking Grid are Dishwasher Safe.**

The cooking grate is designed not to use rocks or coals and will provide "The Great Outdoor Flavor" without the flare-ups and fires associated with the use of rocks and coals. The cooking grate will be quite hot after the use. Be sure to use the spade offered by us to take the grate out of the grill if you want to clean them. See picture



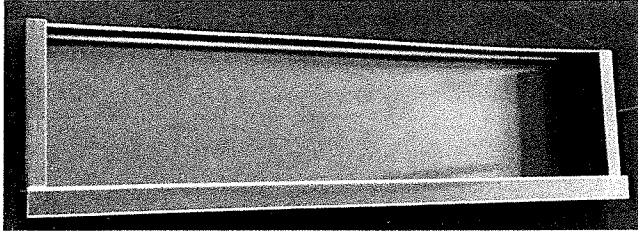
**WARNING: Never put rocks, coal or anything else on the grate.**

**Serious injury or property damage can occur by placing foreign objects on the grate.**

**Never touch the grate after its use, please use the spade offered by us.**

**Greased drip pan:**

Please always empty the drip pan after the cooking since the grease will be collect and not let me more than 2/3 of the capacity.

**Lighting Instructions**

**Lighting:** To light your grill, push down and turn knob to "MAX". You will hear a clicking sound. This is the ignitor lighting the grill. If the grill fails to light just try it again.

Do not cover the cooking surface with a dust cover, a lid, foil, cooking utensil, or anything else. The Grill was designed to cook your food without covering it.

*Warning: Covering the cooking surface can cause an unsafe situation and can lead to serious injury or damage to personal property.*

After the grill has cooled (Approx. 30 Minutes) you can touch the surface of the grill and remove the grate.

**WARNING: Immediately after turning the grill on, all surfaces of the grill become extremely hot. Do not touch any part of the grill except for the knob to adjust the cooking temperature or to turn the grill off.**

For some models, There will be a top cover attached which is not intended to be closed when the appliances is in operation, but only as a cover when not in operation.

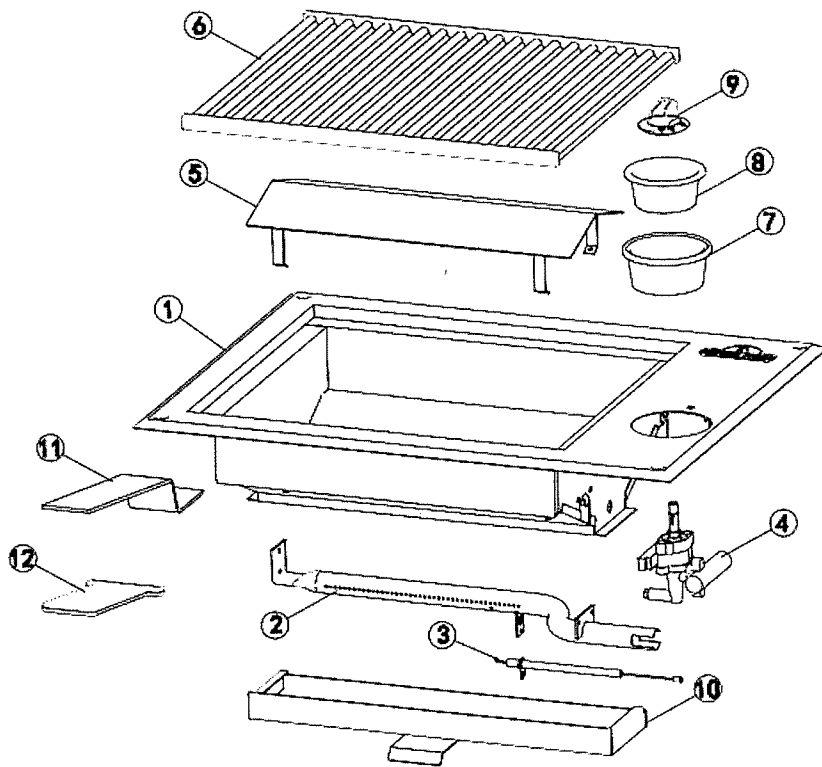
*\*\*\*Top cover must be open when any top burner is in operation\*\*\**

**Air Shutter Adjustment:** The air shutter is located at the end of the burner venture tube. See below pictures. It is designed to be opened or closed to regulate the gas air mixture. The flame on the burner should be approximately 3/4" tall burn stable & blue with small yellow tips. It should not lift or blow out. If the flame lifts or blows out you have too much air. The air shutter needs to be closed a little. If the flames have too much yellow and dances on the burner you



need to open the air shutter. To adjust the air shutter, turn the knob to grill **OFF**, loosen the set screw on the air shutter. See below picture. Loosen the screw and turn the screw for better air mixture. Then tighten the screw again after you get the best flame.

### Explosive picture for the grill



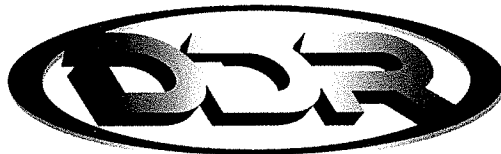
|     |                    |              |             |
|-----|--------------------|--------------|-------------|
| 12  | Silicone handle    | silica gel   | 1 piece/set |
| 11  | Net handle         | SUS201 2.5MM | 1 piece/set |
| 10  | Oil correction box | SUS201 0.8MM | 1 piece/set |
| 9   | Knob               | Plastic      | 1 piece/set |
| 8   | Knob sheath_2      | aluminum     | 1 piece/set |
| 7   | Knob sheath_1      | aluminum     | 1 piece/set |
| 6   | Grill net          | SUS201 0.8MM | 1 piece/set |
| 5   | Fire plate         | SUS201 0.8MM | 1 piece/set |
| 4   | Valve              | copper       | 1 piece/set |
| 3   | Ignition pin       | ceramic      | 1 piece/set |
| 2   | Fire row           | SUS201 1.0MM | 1 piece/set |
| 1   | Oven shell         | SUS201 0.8MM | 1 piece/set |
| No. | Product name       | Material     | Quantity    |

**Warranty Term:**

IMPLIED WARRANTIES, INCLUDING ANY WARRANTY OF MERCHANTABILITY OR FITNESS, FOR THE PRODUCT AND ITS PARTS, ARE LIMITED TO ONE (1) YEAR IN DURATION AND OTHERWISE ARE EXCLUDED. SOME STATES DO NOT ALLOW LIMITATIONS ON HOW LONG AN IMPLIED WARRANTY LASTS, SO THE ABOVE LIMITATION MAY NOT APPLY TO YOU.

NO OTHER EXPRESS WARRANTY OTHER THAN THE WARRANTY STATED HEREIN HAS BEEN MADE OR WILL BE MADE ON BEHALF OF THE MANUFACTURER WITH RESPECT TO THE PRODUCT AND ITS PARTS OR THE REPAIR OR REPLACEMENT OF THE PRODUCT AND ITS PARTS.

The purchaser's sole and exclusive remedy in the event of a defect is replacement or repair, at the option of the manufacturer, of the defective part or parts. THE MANUFACTURER SHALL NOT BE RESPONSIBLE FOR ANY COSTS, EXPENSES, LOSSES OR DAMAGES, WHETHER DIRECT, INDIRECT, INCIDENTAL OR CONSEQUENTIAL, WHETHER ARISING IN CONTRACT OR IN TORT. THE PRODUCT, INCONVENIENCE, OR LOSS OR DAMAGE RESULTING TO THE PRODUCT OR OTHER PROPERTY FROM FIRE, SMOKE, FUEL WATER OR EXPOSURE TO THE ELEMENTS OR CHEMICALS. Some states do not allow the exclusion or limitation of incidental or consequential damages, so the above limitation or exclusion may not apply to you.



DDR Company, LLC  
705 S. Division St. Bristol, In 46507  
574-970-9765