



## 9924 Series

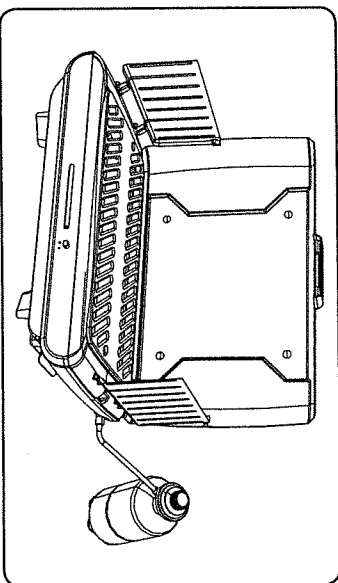
© 2014 The Coleman Company, Inc  
www.coleman.com

Propane Table Top Grill  
Gril de table à propane  
Parrilla de Mesa de Propano

Instructions for use  
Notice d'emploi  
Instrucciones de uso

INSTASTART™ Electronic Ignition  
Allumage électronique  
Encendido electrónico

Standard Ignition  
Allumage standard  
Encendido estándar



### IMPORTANT

**CONSUMER/USER:** This instruction manual contains important information necessary for the proper assembly and safe use of the appliance. Read and follow all warnings and instructions before assembling and using the appliance. Follow all warnings and instructions when using the appliance. Keep this manual for future reference.

If you have questions about assembly, operation, servicing or repair of these grills, please call Coleman in the United States at 1-800-835-3278 or TDD: 1-316-832-8707 and in Canada call 1-800-387-6161.

#### Note:

Propane tank is not included.

Remarque :

La bouteille de propane n'est pas incluse.

Nota:

El tanque de propano no está incluido.

#### ASSEMBLER/INSTALLER:

Leave these instructions with the consumer.  
CONSUMER/USER:  
Read all instructions and keep in a safe place for future reference.

#### INSTALLATEUR:

Laissez ces instructions à l'utilisateur.  
CONSOMMATEUR / UTILISATEUR:  
Lisez toutes les instructions et gardez-les en lieu sûr pour référence ultérieure.

#### MONTADOR / INSTALLATEUR:

Deje estas instrucciones con el consumidor.  
CONSUMIDOR / USUARIO:  
Lea todas estas instrucciones y manténgalas en un lugar seguro como referencia.



The Coleman Company, Inc. • 3600 North Hydraulic • Wichita, KS 67219 U.S.A.  
1-800-835-3278 TDD: 1-316-832-8707  
Sunbeam Corporation (Canada) Limited • DBA Jarden Consumer Solutions  
209 Herford Street  
Brampton, ON L6Y 0M1 • 1-800-387-6161  
www.coleman.com

© 2014 The Coleman Company, Inc. All rights reserved. Coleman®, Coleman® and INSTASTART™ are registered trademarks and InstaStart™ is a trademark of The Coleman Company, Inc.  
© 2014 The Coleman Company, Inc. Tous droits réservés. Coleman®, Coleman® et INSTASTART™ sont des marques déposées alors que InstaStart™ est une marque de commerce de The Coleman Company, Inc.

© 2014 The Coleman Company, Inc. Todos los derechos reservados. Coleman®, Coleman®, y INSTASTART™ son marcas registradas y InstaStart™ es una marca de la compañía The Coleman Company, Inc.  
The Coleman Company, Inc., a Jarden Corporation company/  
une compagnie de Jarden Corporation/ (NYSE:JAH)  
Una compañía de Jarden Corporation (NYSE:JAH)

**▲ DANGER**

If you smell gas:

1. Shut off gas to the appliance.
2. Extinguish any open flame.
3. Open lid.
4. If odor continues, keep away from the appliance and immediately call your gas supplier or your fire department.

Failure to follow these instructions could result in fire or explosion which could cause property damage, personal injury or death.

**▲ DANGER**

1. Never operate this appliance unattended.
2. Never operate this appliance within 10 feet (3.0 m) of any other gas cylinder.
3. Never operate this appliance within 25 feet (7.5 m) of any flammable liquid.
4. Heated liquids remain at scalding temperatures long after the cooking process. Never touch cooking appliance until liquids have cooled to 115 °F (45 °C) or less.
5. If a fire should occur, keep away from the appliance and immediately call your fire department. Do not attempt to extinguish an oil or grease fire with water.

Failure to follow these instructions could result in fire, explosion or burn hazard, which could cause property damage, personal injury or death.

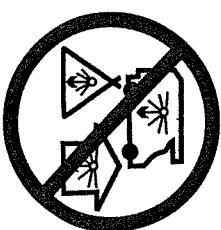
Only persons who can understand and follow the instructions should use or service this outdoor grill.

If you need assistance or outdoor grill information such as an instruction manual or labels, contact The Coleman Company, Inc.

**▲ CAUTION**

- The use of alcohol, prescription or non-prescription drugs may impair your ability to properly assemble or safely operate the appliance.
- When cooking with oil or grease, have a Type BC or ABC fire extinguisher readily available. In the event of an oil or grease fire, do not attempt to extinguish with water. Immediately call the fire department. A Type BC or ABC fire extinguisher may, in some circumstances contain the fire.
- In the event of rain or other forms of precipitation while cooking with oil/grease, cover the cooking vessel immediately and turn off the appliance burners and gas supply. Do not attempt to move the appliance or cooking vessel.
- When cooking, the appliance must be on a level, stable surface in an area clear of combustible material. An asphalt surface (blacktop) may not be acceptable for this purpose.
- Do not leave the appliance unattended. Keep children and pets away from the appliance at all times.
- Do not place empty cooking vessel on the appliance while in operation. Use caution when placing anything in cooking vessel while the appliance is in operation.
- Do not move the appliance when in use. Allow the cooking vessel to cool to 115 °F (45 °C) before moving or storing.
- This appliance is not intended for and should never be used as a heater.

**▲ DANGER**



**CARBON MONOXIDE HAZARD**

- This appliance can produce carbon monoxide which has no odor.
- Using it in an enclosed space can kill you.
- Never use this appliance in an enclosed space such as a camper, tent, car or home.

This manual contains important information about the assembly, operation and maintenance of this outdoor propane appliance. General safety information is presented on this page and is also located throughout these instructions. Particular attention should be paid to information accompanied by the safety alert symbol "▲ DANGER", "▲ WARNING", "▲ CAUTION".

Keep this manual for future reference and to educate new users of this product. This manual should be read in conjunction with the labeling on the product.

Safety precautions are essential when any mechanical or propane fueled equipment is involved. These precautions are necessary when using, storing, and servicing. Using this equipment with the respect and caution demanded will reduce the possibilities of personal injury or property damage.

The following symbols shown below are used extensively throughout these instructions. Always heed these precautions, as they are essential when using any mechanical or propane fueled equipment.

## ▲ DANGER

**DANGER** indicates an imminently hazardous situation which, if not avoided, will result in death or serious injury.

## ▲ WARNING

**WARNING** indicates a potentially hazardous situation which, if not avoided, could result in death or serious injury.

## ▲ CAUTION

**CAUTION** indicates a potentially hazardous situation which, if not avoided, may result in minor or moderate personal injury, or property damage.

## ▲ DANGER



### EXPLOSION - FIRE HAZARD

- Never store propane near high heat, open flames, pilot lights, direct sunlight, other ignition sources or where temperatures exceed 120 °F (49 °C).
- Propane gas is heavier than air and leaking propane will sink to the lowest level possible. It can ignite by ignition sources including matches, lighters, sparks or open flames of any kind many feet away from the original leak. If you smell gas, leave the area immediately.
- Never install or remove propane tank while outdoor grill is lighted, near flame, pilot lights, other ignition sources or while outdoor grill is hot to touch.
- During operation, this product can be a source of ignition. Never use the grill in spaces that contain or may contain volatile or airborne combustibles, or products such as gasoline, solvents, paint thinner, dust particles or unknown chemicals. Minimum distance from sides and back of unit to walls or railings is 24 inches (61.0 cm). Do not use under overhead unprotected combustible construction.
- Provide adequate clearances around air openings into the combustion chamber.
- **DO NOT** use gas grill indoors or in garages, breezeways, sheds or enclosed areas.
- Do not obstruct the flow of combustion and ventilation air.

## ▲ WARNING

We cannot foresee every use which may be made of our products. Check with your local fire safety authority if you have questions about use. Other standards govern the use of fuel gases and heat producing products for specific uses. Your local authorities can advise you about these.

- Never refill disposable cylinders.
- Use the preset regulator that came with the grill. Do not attempt to adjust. The installation must conform with local codes or, in the absence of local codes, with the National Fuel Gas Code, ANSI Z223.1/NFPA 54, Storage and Handling of Liquefied Petroleum Gases, ANSI/NFPA 58, or Natural Gas and Propane Installation Code, CSA B149.1, Propane Storage and Handling, CSA B149.2, as applicable.
- This appliance is not intended to be installed in or on recreational vehicles and/or boats.
- This appliance is not intended for commercial use.

## ▲ DANGER



### CARBON MONOXIDE HAZARD

- This grill is a combustion appliance. All combustion appliances produce carbon monoxide (CO) during the combustion process. This product is designed to produce extremely minute, non-hazardous amounts of CO if used and maintained in accordance with all warnings and instructions. Do not block air flow into or out of the grill.
- Carbon Monoxide (CO) poisoning produces flu-like symptoms, watery eyes, headaches, dizziness, fatigue and possibly death. You can't see it and you can't smell it. It's an invisible killer. If these symptoms are present during operation of this product get fresh air immediately!
- For outdoor use only. If stored indoors, detach cylinder outdoors. Never use inside house, camper, tent, vehicle or other unventilated or enclosed areas. This grill consumes air (oxygen). Do not use in unventilated or enclosed areas to avoid endangering your life.

## ▲ WARNING

- This product is fueled by propane gas. Propane gas is invisible, odorless, and flammable. An odorant is normally added to help detect leaks and can be described as a "rotten egg" smell. The odorant can fade over time so leaking gas is not always detectable by smell alone.
- Only cylinders marked "propane" must be used.
- Use only propane gas set up for vapor withdrawal.
- Propane gas should be stored or used in compliance with local ordinances and codes or with ANSI/NFPA 58. Turn off propane and disconnect cylinder when not in use. Cylinders must be stored out of reach of children.

### CALIFORNIA PROPOSITION 65:

**WARNING:** This fuel, and by products of combustion of this fuel, contain chemicals known to the state of California to cause cancer, birth defects, or other reproductive harm.

## ▲ WARNING



### BURN HAZARD

- Never leave grill unattended when hot or in use.
- Keep out of reach of children.

## ▲ CAUTION

### SERVICE SAFETY

- Keep all connections and fittings clean. Inspect propane cylinder and grill propane connections for damage before attaching.
- During set up, check all connections and fittings for leaks using soapy water. Never use a flame. Bubbles indicate a leak. Check that the connection is not cross-threaded and that it is tight. Perform another leak check. If there is still a leak, remove the cylinder and contact Coleman for service or repairs.
- Use as a cooking appliance only. Never alter in any way or use with any device or part not expressly approved by Coleman.
- Clean grill frequently to avoid grease accumulation and possible grease fires.

## Technical Characteristics

Input: 11,000 BTU/h  
Category: Pressure regulated propane  
Fuel: 16.4 oz. disposable propane cylinders  
Regulator: 9924

## To Set Up

- Remove components from carton. (Fig. 1)
- Table Top Grill
- Grill Grate
- Regulator Assembly
- Drip Tray
- Feet and Attaching Screws

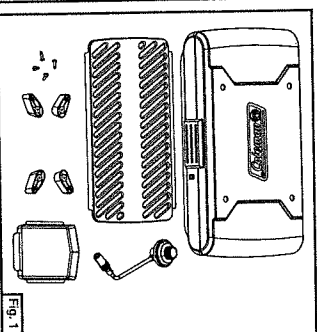


Fig. 1

- Assemble feet to grill. Attach each foot to grill using one screw. (Fig. 2)
- NOTE:** Screwdriver is not provided.

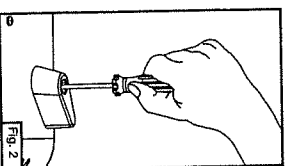
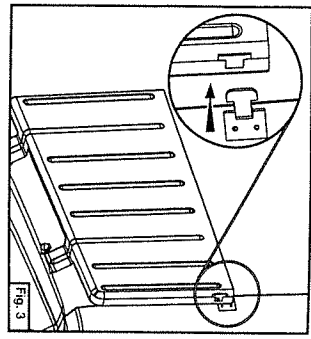
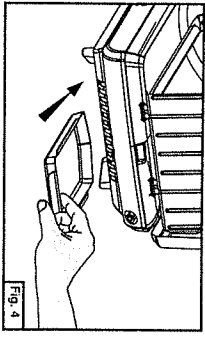


Fig. 2

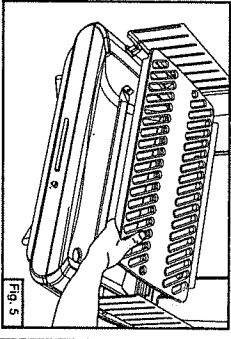
- Assemble WINDBAFFLES to LID. (Fig. 3)



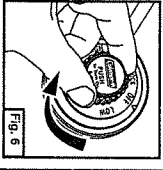
- Install drip tray below right side of grill. (Fig. 4)



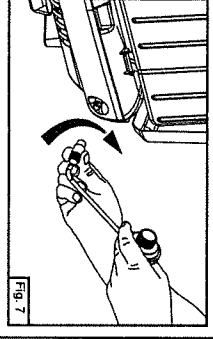
- Install grill with raised edge in back. (Fig. 5)



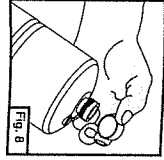
- Turn off regulator valve. (Fig. 6)



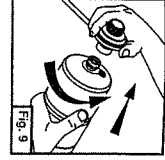
- Screw regulator into grill hand tight. (Fig. 7)



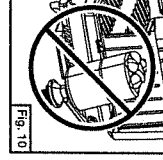
- Remove protective cap from top of propane cylinder. Save cap for use in storing. (Fig. 8)



- Screw propane bottle into regulator hand tight. (Fig. 9)

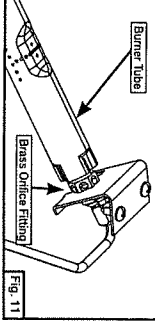


- Never operate grill with propane cylinder in an inverted position. (Fig. 10)



### Burner and Orifice

Proper location of the burner with respect to the orifice is important. To verify the proper installation of the burner tube, turn the grill upside down and look through the grill vents on the right side. The burner tube must be located over the brass orifice fitting. See Fig. 11 (grill case not shown).



- Check and clean the burner/venturi tubes for insects and insect nests. A clogged tube can lead to a fire beneath the appliance.

### Leak Check

#### ▲ WARNING

- Perform leak test outdoors.
- Extinguish all open flames.
- NEVER leak test when smoking.
- Do not use the outdoor grill until connection has been leak tested and does not leak.

**NOTE:** Use Coleman® 16.4 oz. disposable propane cylinders. The LP-gas supply cylinder to be used must be constructed and marked in accordance with the specifications for LP-gas cylinders of the U.S. Department of Transportation (DOT) or the National Standard of Canada, CAN/CSA B339, Cylinders, Spheres and Tubes for the Transportation of Dangerous Goods.

### Operation

#### ▲ DANGER

**CARBON MONOXIDE HAZARD**

- For outdoor use only.
- Never use inside house, camper, tent, vehicle or other unventilated or enclosed areas. This grill consumes air (oxygen) and produces carbon monoxide (CO). Do not use in unventilated or enclosed areas to avoid endangering your life.

#### ▲ DANGER

**EXPLOSION - FIRE HAZARD**

- Propane is heavier than air and can accumulate in low places. If you smell gas, leave the area immediately.
- Always attach or detach propane source outdoors; never while grill is lit, near flame, pilot lights, other ignition sources or while grill is hot to touch.
- This grill is very hot during use and can ignite flammables too close to the burners. Minimum distance from sides and back of unit to walls or railings is 24 inches (61.0 cm). Do not use under overhead unprotected combustible construction. Keep gasoline and other flammable liquids and vapors well away from grill.

- Do not attempt to operate until you have read and understood all General Safety Information in this manual and all assembly is complete and leak checks have been performed.

### To Light

#### ▲ WARNING



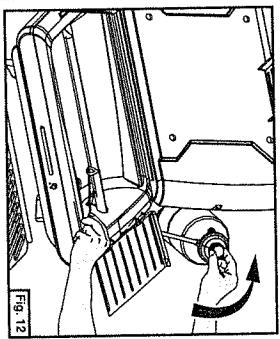
This appliance will be hot during and after use. Use insulated oven mitts or gloves for protection from hot surfaces or splatter from cooking liquids.

**BURN HAZARD**

- Never leave grill unattended when hot or in use.
- Keep out of reach of children.

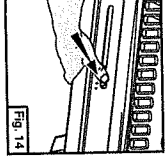
#### Match Light Grills

- Set on sturdy, flat surface. For outdoor use only.
- Remove grill surface.
- Hold lit match near burner and open regulator valve. (Fig. 12)

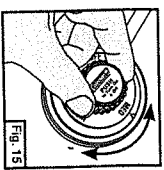


#### INSTASTART™ Electronic Ignition Grills

- Set on sturdy, flat surface. For outdoor use only.
- Open regulator valve and push igniter button repeatedly until burner lights. (Fig. 13 and 14)
- Note: If igniter fails to light grill, use match to light burner. If the grill is wet the igniter may not spark.



- Adjust flame with regulator valve. (Fig. 15)



- A good flame should be blue with minimal yellow tip. Some yellow tips on flames are acceptable as long as no carbon or soot deposits appear. (Fig. 16)

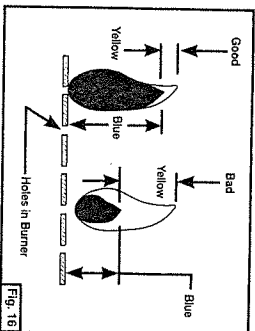


Fig. 16

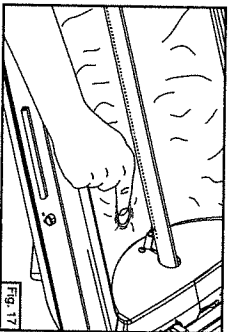
**NOTE:** If the burner flame is accidentally extinguished, turn off the regulator valve and wait 5 minutes before relighting the appliance.

### Tips Before Cooking

#### CAUTION

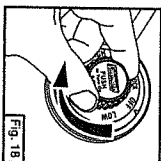
**DO NOT** place a pot or a pan on grill surface. Damage will occur and void the warranty.

- Grill has a non-stick coating. Use only nonmetallic utensils to prolong life of nonstick coating.
- To reduce sticking and improve clean-up, spray cooking surface with vegetable oil prior to lighting grill.
- If you desire, aluminum foil may be used to ease clean up. (Fig. 17)
- Be sure to provide hole in foil for grease.



### To Turn Off

- Turn off regulator. (Fig. 18)



### To Clean

- Make sure grill is cool.
- Move grill away from flame (including pilot lights) and other ignition sources.
- Remove propane cylinder from regulator and replace protective cap on cylinder. (Fig. 19)

- Remove regulator from grill. (Fig. 20)

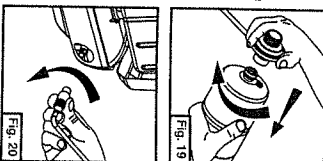
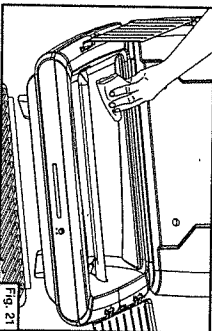


Fig. 20

- Wipe clean with soft cloth and mild dish detergent. Do not use abrasives. (Fig. 21)



- Grill grate and drip tray are dishwasher safe.

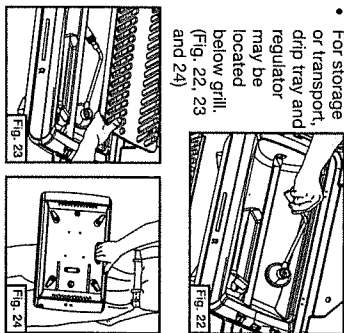
### To Store

#### ⚠ DANGER

##### EXPLOSION - FIRE HAZARD

- Never store propane near high heat, open flames, pilot lights, direct sunlight, other ignition sources or where temperatures exceed 120 °F (49 °C).
- The cylinder must be disconnected when the grill is not in use.
- Do not store a spare LP-gas cylinder under or near this appliance. Failure to follow the above instructions exactly may result in fire causing death or serious injury.

- For storage or transport, drip tray and regulator may be located below grill. (Fig. 22, 23 and 24)



### Things You Should Know

- It is unsafe and illegal in some places to store or use propane cylinders of greater than 1.14 Kg (2.5 lbs) water capacity (approximately 1 lb. propane) in occupied enclosures. The usual storage areas for camping and picnic equipment are the basement, attic, or garage. To avoid the accumulation of dust, cobwebs, etc., that is common in these areas, place your grill in a plastic bag and seal it with a rubber band.
- For repair service call one of the numbers listed on the front cover for location of your nearest Coleman Service Center. If product must be mailed to Service Center, attach to the product a tag that includes your name, address, daytime telephone number and a description of problem. **DO NOT** send propane cylinder. Carefully package the product and send either by courier or insured mail with shipping and insurance prepaid to:

**For products purchased in the United States:**  
 The Coleman Company, Inc.  
 3600 North Hydraulic  
 Wichita, KS 67219 U.S.A.  
 1-800-835-3278 • TDD: 1-316-832-8707

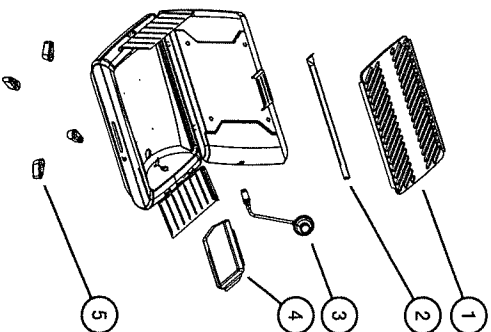
**For products purchased in Canada:**  
 Sunbeam Corporation (Canada) Limited  
 DBA Jarden Consumer Solutions  
 208 Hereford Street  
 Brampton, ON L6Y 0W1  
 1-800-387-6161

4. If not completely satisfied with the performance of this product, please call 1-800-835-3278 in the US or 1-800-387-6161 in Canada.

www.coleman.com

### Parts List

No.	Part Number	Description
1	5010000288	Grill Grate
2	9924-1811	Tube Burner
3	9924-5251	Regulator Assy.
4	9924-1901	Drip Tray
5	9922-4051	Foot w/ screw (1 pk)



Order #	689445
Printed	7/16/2019 10:34 ET

# Acknowledgment

Ventline/Dexter Door - Plant 39  
902 S. Division St.  
Bristol, IN 46507  
Phone: (574) 848-4491

Ship to: COACHMEN RV #110  
DIVISION OF FOREST RIVER 3934  
423 N. MAIN STREET  
MIDDLEBURY, IN 46540

Sold to: FOREST RIVER PRODUCTS-0012485

ACCOUNTS PAYABLE DEPT

PO BOX 3030

ELKHART, IN.

46515-3030

Rev: 0

Order Date	Cust #	Loc	Rep	Customer PO	Job #	Ship Via	Col/PPD	Terms
7/16/2019	101689	39	641	D110A-155424	689445	Dexter Truck	Prepaid	5% 15 net 30

Line	Qty Ord	Promise	Item/Customer Item	Config	U/M	Ext. Weight	Unit Price	Extended Price
1	1	7/23/2019	5050RC	5050RADIVS CORNER RV DOOR	EA	14.90 lbs	\$156.62	\$156.62

Your Item#: F100049568

Complete Assy, WIDTH = 30.000, HEIGHT = 71.500, FS Door, Right Hand/Hinge, Standard Hinge, Black Frm, Black Surround, 4117-83 LAM 1000 .05 8016F PW, Polar Wht Pebble HDPE, Single Window, 12X21, RC PW OBS, Black PL Ext Wndw Frm, Black Int Wndw Frm, No Keyless Entry option, 4261-66 BIK T/T W/BIDB 2 Cyl, Standard Lock Location, No DBoIt, No Edge Bore, No Stroke, No Viewwr, Core 1/2" Shorter, Standard Screen Door, Black Screen, No X-Bars, 7" Alum K-P, Black K-P, Black Bubble, Lever Latch, 1-3/8" Thold Extension 1974A, No Reinforcement Plate, Black 2648A screw cover, No Holes Punched, STD Hardware, No Protective Film Core, 1282D Black Drip Cap, No Trim Ring, Rackboards



# Warranty

## Limited Three Year Warranty

The Coleman Company, Inc. ("Coleman") warrants that for a period of three (3) years from the date of original retail purchase, this product will be free from defects in material and workmanship. Coleman, at its option, will repair or replace this product or any component of the product found to be defective during the warranty period. Replacement will be made with a new or remanufactured product or component. If the product is no longer available, replacement may be made with a similar product of equal or greater value. This is your exclusive warranty.

This warranty is valid for the original retail purchaser from the date of initial retail purchase and is not transferable. Keep the original sales receipt. Proof of purchase is required to obtain warranty performance. Coleman dealers, service centers, or retail stores selling Coleman® products do not have the right to alter, modify or in any way change the terms and conditions of this warranty.

### What This Warranty Does Not Cover

This warranty does not cover normal wear of parts, parts that are not genuine Coleman® parts, or damage resulting from any of the following: negligent use or misuse of the product; commercial use of the product; use contrary to the operating instructions; disassembly, repair or alteration by anyone other than Coleman or an authorized service center. Further, the warranty does not cover Acts of God, such as fire, flood, hurricanes and tornadoes. Warranty void if damage to the product results from the use of a part other than a genuine Coleman® part.

**COLEMAN SHALL NOT BE LIABLE FOR DEFECTS THAT ARE CAUSED BY THE USE OF UNAUTHORIZED PARTS OR SERVICE. COLEMAN SHALL NOT BE LIABLE FOR ANY INCIDENTAL OR CONSEQUENTIAL DAMAGES CAUSED BY THE BREACH OF ANY EXPRESS OR IMPLIED WARRANTY OR CONDITIONS, EXCEPT TO THE EXTENT PROHIBITED BY APPLICABLE LAW, ANY IMPLIED WARRANTY OF MERCHANTABILITY OR FITNESS FOR A PARTICULAR PURPOSE IS LIMITED IN DURATION TO THE DURATION OF THE ABOVE WARRANTY OR CONDITIONS, SOME STATES, PROVINCES, OR JURISDICTIONS DO NOT ALLOW THE EXCLUSION OR LIMITATION OF INCIDENTAL OR CONSEQUENTIAL DAMAGES OR LIMITATIONS ON HOW LONG AN IMPLIED WARRANTY LASTS, SO THE ABOVE LIMITATIONS OR EXCLUSION MAY NOT APPLY TO YOU. THIS WARRANTY GIVES YOU SPECIFIC LEGAL RIGHTS, AND YOU MAY ALSO HAVE OTHER RIGHTS THAT VARY FROM STATE TO STATE OR PROVINCE TO PROVINCE.**

### How to Obtain Warranty Service

Your product must be under warranty in order to obtain warranty service. If your product is defective and is within your warranty period, contact us at 1-800-835-3278 (TDD 1-316-832-8707) in order to receive a return authorization. Do not return product to Coleman without authorization. You will be directed to attach a tag to the product that includes your name, address, daytime telephone number and description of the problem. Include a copy of the original sales receipt. Carefully package the product and send insured by UPS, FedEx Ground or Parcel Post with shipping and insurance prepaid to:

#### For products purchased in the United States:

The Coleman Company, Inc.  
3600 North Hydraulic  
Wichita, KS 67219 U.S.A.

#### For products purchased in Canada:

Sunbeam Corporation (Canada) Limited  
DBA Varden Consumer Solutions  
208 Hereford Street  
Brampton, ON L6Y 0M1

The cost of transporting the product to Coleman for warranty service is the responsibility of the purchaser.

Do not mail products with fuel in tanks or with disposable propane cylinders.

DO NOT RETURN THIS PRODUCT TO THE PLACE OF PURCHASE.

If you have any questions regarding this warranty please call 1-800-835-3278 or TDD 1-316-832-8707 in the United States or 1-800-387-6161 in Canada.