

TOUCHSTONE LUMENEX SERIES ELECTRIC FIREPLACE HEATER

Model # : 87026, 87028, 87030
87032, 87034, 87036, 87040

OWNER'S MANUAL



26", 28", 30", 32", 34", 36", 40"
Recessed Electric Fireplace

AC 110-120V 60Hz 1500W

⚠ WARNING

Read and understand this entire owner's manual, including **all safety information**, before plugging in or **using** this product. Failure to do so could result in **fire, electric shock, or serious personal injury**.

⚠ CAUTION

Keep this owner's manual for future reference. If you sell or give this product away, **make sure this manual accompanies this product**.



**PREMIUM
ELECTRIC FIREPLACES
& TV LIFTS**

Exceeding Expectations



Table of Contents

General Information	5
<i>Fireplace Specifications</i>	5
<i>ETL Approval Listing Information</i>	5
<i>Dimensional Drawing</i>	6
Unpacking Your Fireplace	7
<i>Parts and Hardware</i>	7
Tools Required.....	7
What’s in the Box	7
<i>Unpacking and Setup</i>	7
Unpacking Instructions:.....	7
<i>Wiring</i>	8
Testing the Fireplace Prior to Installation.....	8
3-prong Outlet Installation.....	8
Hard Wire Connection	9
Installation	10
WARNINGS	10
<i>Choosing Installation Location</i>	10
<i>Removing The Glass Panel</i>	11
<i>Recessed Installation</i>	13
a. Crystal Ember Installation.....	14
b. Fire log Installation	15
Operating Fireplace	17
<i>Power</i>	17
<i>Methods of Operation</i>	17
<i>Remote Control Operation</i>	17
<i>Remote Control and Touch Panel Functions</i>	18
Troubleshooting	19
<i>Temperature Limiting Control</i>	19
Care and Maintenance	20
<i>Cleaning</i>	20
<i>Maintenance</i>	20
Warranty	21
Notes:	22

IMPORTANT SAFETY INFORMATION WARNING!

- **THIS FIREPLACE IS HOT WHEN IN OPERATION AND CAN CAUSE SEVERE BURNS**
- Do not operate fireplace before reading and understanding operating instructions. Failure to operate fireplace according to operating instructions could cause fire or injury.
- Risk of burns. This fireplace is HOT when in operation and heating element is ON. Power to the fireplace should be turned off and the fireplace allowed to cool before servicing. To disconnect power to the fireplace, turn controls to off, then remove plug from outlet.
- Do not install damaged, incomplete, or substitute components.
- Young children should be carefully supervised when they are in same room with fireplace. Toddlers, young children and others may be susceptible to accidental contact burns. A physical barrier is recommended if there are at risk individuals in the house. To restrict access to the fireplace, install an adjustable safety gate to keep toddlers, young children and other at risk individuals away from the fireplace and hot surfaces. Ensure that you have incorporated adequate safety measures to protect infants/toddlers from touching hot surfaces.
- It is imperative that that the control compartments, circulating blower, and its passageway is the fireplace is kept clean.
- Under no circumstances should this fireplace be modified.
- Do not use the fireplace if any part has been under water.
- Do not operate the fireplace with the glass panel removed, cracked or broken.
- Keep the packaging material out of the reach of children. As with all plastic bags, these are not toys and should be kept away from children and infants.
- Servicing should only be done while the fireplace is disconnected from the power outlet.
- Unplug fireplace if not being used for an extended period of time.
- Do not operate this fireplace with a damaged cord or plug after the fireplace malfunctions, has been dropped, or damaged in any manner.
- **INDOOR USE ONLY!** Do not use outdoors.
- Never locate fireplace where it may fall into a bathtub or other water container.
- Do not run the cord under carpeting. Do not cover cord with throw rugs, runners, or the like. Arrange cord away from traffic area and where it will not be tripped over.
- Connect to properly grounded outlets only.
- Do not insert foreign objects into any ventilation or exhaust opening as this may cause and electric shock, fire, or damage to the fireplace.
- To prevent a possible fire, do not block the air intakes or exhaust in any manner. Do not use on soft surfaces, like a carpet, where openings may be blocked.
- Elevated temperatures on the wall or in the air above the fireplace can cause melting, discoloration or damage to the decorations, a TV or other electronic components.

General Information

Fireplace Specifications

Model Number	87026	87028	87030	87032
Description	Lumenex 26"	Lumenex 28"	Lumenex 30"	Lumenex 32"
Voltage	120v AC	120v AC	120v AC	120v AC
Watts	Max 1500W	Max 1500W	Max 1500W	Max 1500W
Amps	15 AMP	15 AMP	15 AMP	15 AMP
Fireplace Width	26"	28"	30"	32"
Fireplace Height	16 ½"	16 ½"	16 ½"	16 ½"
Fireplace Depth	5 ½"	5 ½"	5 ½"	5 ½"
Fireplace Weight	27lbs	29lbs	31lbs	32lbs
Shipping Weight	31 lbs	33lbs	35lbs	36lbs

Model Number	87034	87036	87040
Description	Lumenex 34"	Lumenex 36"	Lumenex 40"
Voltage	120v AC	120v AC	120v AC
Watts	Max 1500W	Max 1500W	Max 1500W
Amps	15 AMP	15 AMP	15 AMP
Fireplace Width	34"	36"	40"
Fireplace Height	16 ½"	16 ½"	16 ½"
Fireplace Depth	5 ½"	5 ½"	5 ½"
Fireplace Weight	33lbs	35lbs	39lbs
Shipping Weight	38lbs	41lbs	44lbs

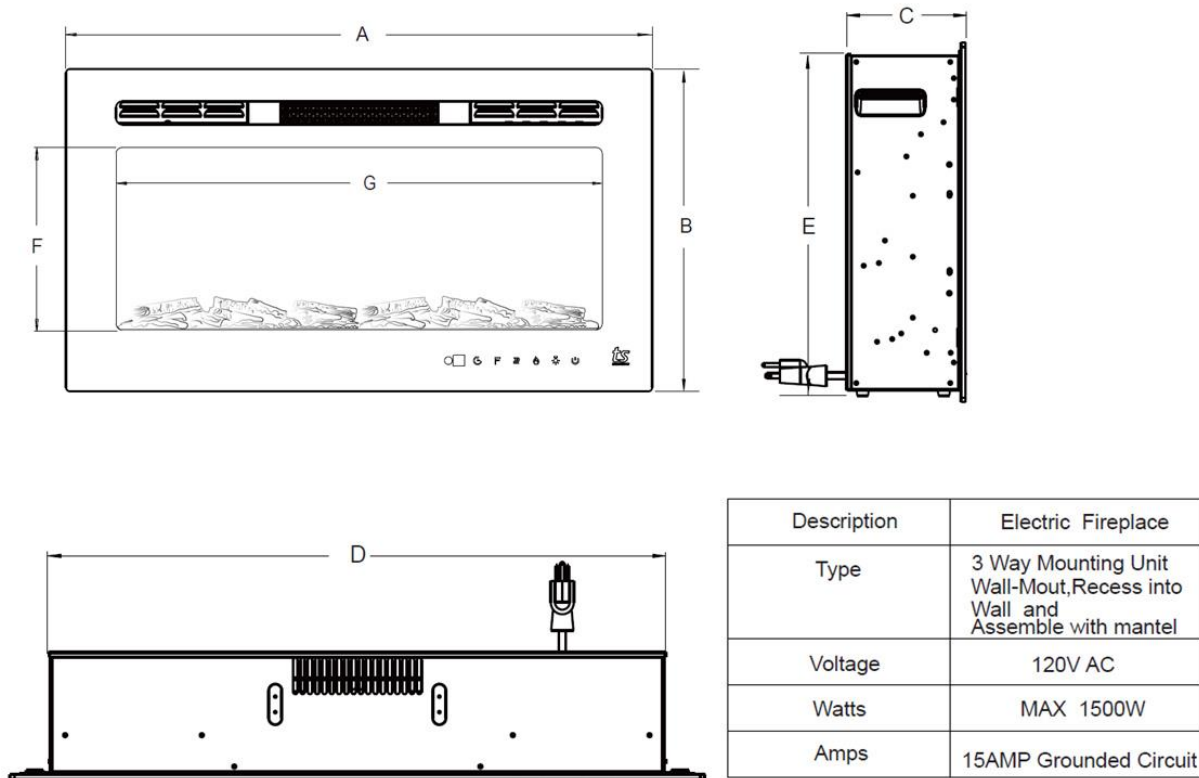
ETL Approval Listing Information

This fireplace has been tested in accordance with the ETL Intertek Standards for fixed and location-dedicated electric room appliances in the United States and Canada. If you need assistance during installation, please contact our technical support department at 800-215-1990 option 2.

Note: This fireplace must be electrically wired and grounded in accordance with local codes or, in the absence of local codes, with National Electric Code ANSI/NFPA 70-latest edition in the United States or the Canadian Electric Code, CSA C22.1 in Canada.



Dimensional Drawing



PRODUCT DIMENSIONS

Model Number	A	B	C	D	E	F	G
87026	26"	16 1/2"	5 1/2"	22 11/16"	15 7/16"	9 3/8"	20 7/8"
87028	28"	16 1/2"	5 1/2"	24 11/16"	15 7/16"	9 3/8"	22 7/8"
87030	30"	16 1/2"	5 1/2"	26 11/16"	15 7/16"	9 3/8"	24 7/8"
87032	32"	16 1/2"	5 1/2"	28 11/16"	15 7/16"	9 3/8"	26 7/8"
87034	34"	16 1/2"	5 1/2"	30 11/16"	15 7/16"	9 3/8"	28 7/8"
87036	36"	16 1/2"	5 1/2"	32 11/16"	15 7/16"	9 3/8"	30 7/8"
87040	40"	16 1/2"	5 1/2"	36 11/16"	15 7/16"	9 3/8"	34 7/8"

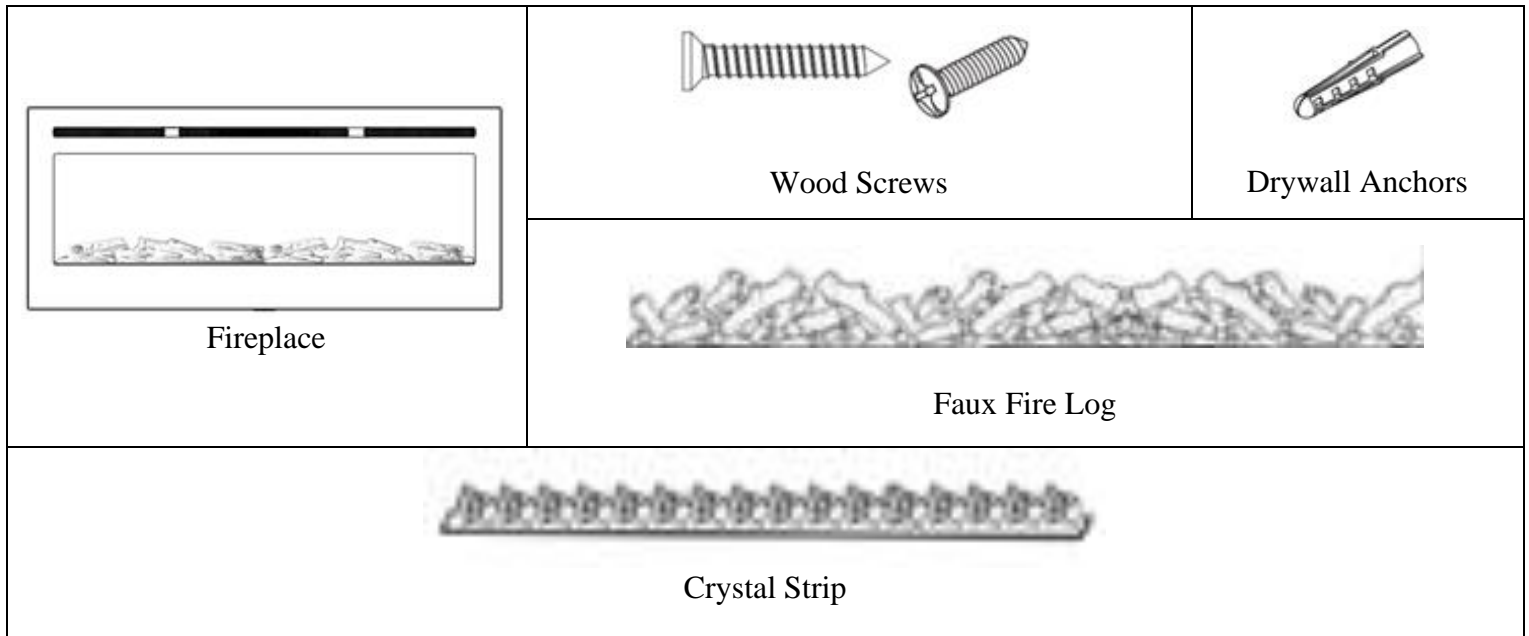
Unpacking Your Fireplace

Parts and Hardware

Tools Required

- Phillips screwdriver
- Stud finder
- Level
- Tape measure
- Electric drill
- 1/4" wood drill bit

What's in the Box



Unpacking and Setup

Unpacking Instructions:

- Remove all parts and hardware from the carton and place them on a clean, soft, dry surface. Check the parts list to make sure no parts are missing. If parts are missing, please contact technical support at 800-215-1990 option 3 for replacement.

NOTE: *Dispose of plastic bag, as it may cause choking hazard with young children. Do not let children play with plastic bag.*

Wiring

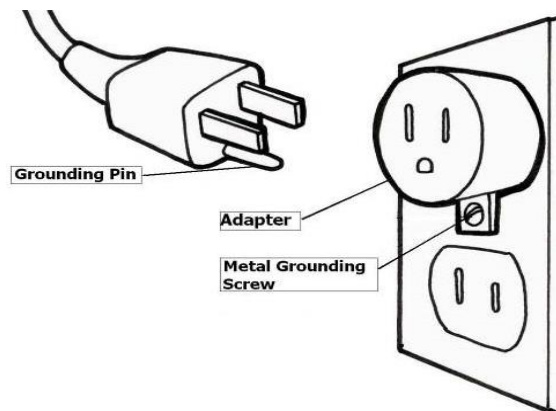
The LUMENEX series recessed fireplace can either be plugged into a grounded 3-prong outlet or hard wire connection.

Testing the Fireplace Prior to Installation

- Before installing the fireplace, test the fireplace to make sure that it operates properly.
- Plug fireplace into approved outlet and power on fireplace. Once fireplace is tested, continue with installation.
- If you have any problems, please contact technical support at 800-215-1990 opt 2.

3-prong Outlet Installation

- Only use this fireplace on a 120V AC, 15-Amp grounded circuit. Never overload the circuit. If this fireplace trips the circuit breaker, unplug all other appliances on the same circuit before the next use. Avoid plugging other appliances into the same circuit as this fireplace.
- Always check the fireplace plug and connections before each use.
- Never plug this fireplace into an outlet that is cracked or has any loose wires or connections. Plugging this fireplace into a faulty outlet could result in the outlet overheating or catching fire.
- Make sure this plug fits securely into the outlet. Faulty wall outlet connections or loose plugs can cause the outlet to overheat. If the outlet or faceplate is hot, discontinue use immediately and have a qualified electrician inspect and/or replace the faulty outlet.
- The power cord supplied with the heater has three prongs: two flat blades (live and neutral) and one round pin (ground). If a 3-slot receptacle is not available, an adapter **MUST** be used. The adapter **MUST** be properly grounded to the outlet box (see figure below).



NOTE: Adapter NOT INCLUDED.

Hard Wire Connection

If it is necessary to hard wire this appliance, a qualified electrician must remove the cord connection, and wire the appliance directly to the house hold wiring.

This appliance must be electrically connected and grounded in accordance with local codes, if hard wired. In the absence of local codes, use the current ANSI/NFPA 70 NATIONAL ELECTRICAL CODE in the United States or the current CSA C22.1 CANADIAN ELECTRICAL CODE in Canada.

Fig.1

COVER PLATE

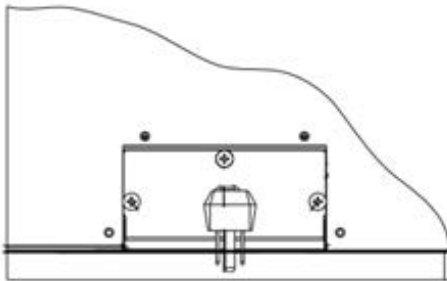
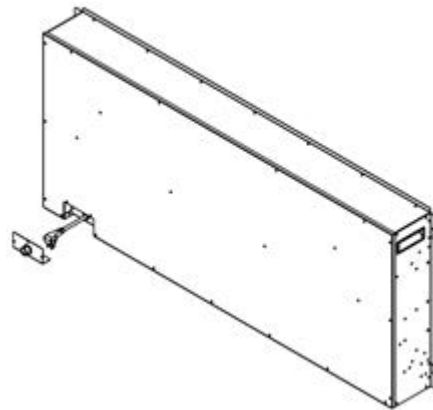
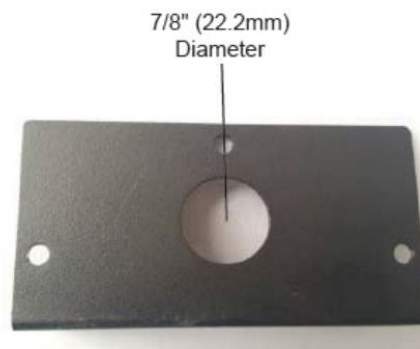
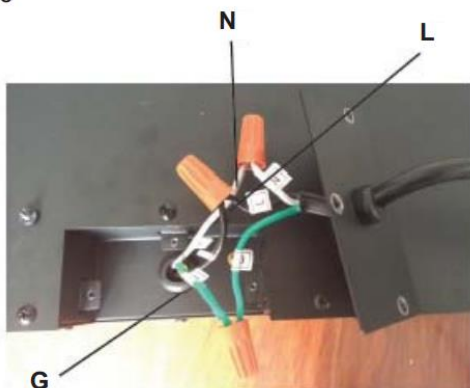


Fig.2



- A. Remove the cover plate from the left side bottom of the appliance by removing the three screws, as shown above. Save screws for installation of new cover plate. (figure 1)
- B. Remove the wire connectors from the power cord. Keep power cord, in case needed in future.
- C. Take the new cover plate and punch a 7/8". Thread your wiring through the hole in the cover plate for connecting to the wires in the LUMENEX fireplace.
- D. Using the wire connectors, connect the ground green wires (G), the common white wires (N) together, then the hot black wires (L) and then the refer to Figure 3.
- E. Reinstall the cover plate using the three screws, as shown in Figure 1.

Fig. 3



Installation

WARNINGS

- Never install the fireplace where it may fall into a bathtub or other body of water.
- Wear safety gloves and safety glasses for protection during installation. Broken glass may cause injury or harm.
- Prevent contact with loose insulation. Do not install the fireplace against a vapor barrier or exposed insulation.
- Do not expose the fireplace to the elements (rain, etc).

Choosing Installation Location

Choosing Wall Location

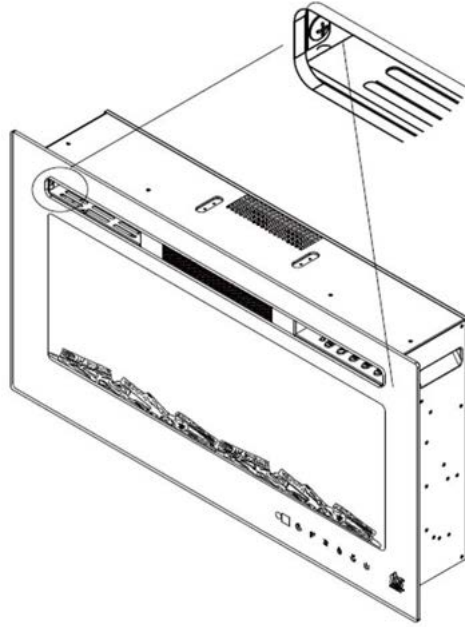
- Measure wall location to ensure that fireplace will fit on desired wall location.
- See Safety Information on page 3 for warnings about safe placement, safe installation, and proper use of this product.

Removing The Glass Panel

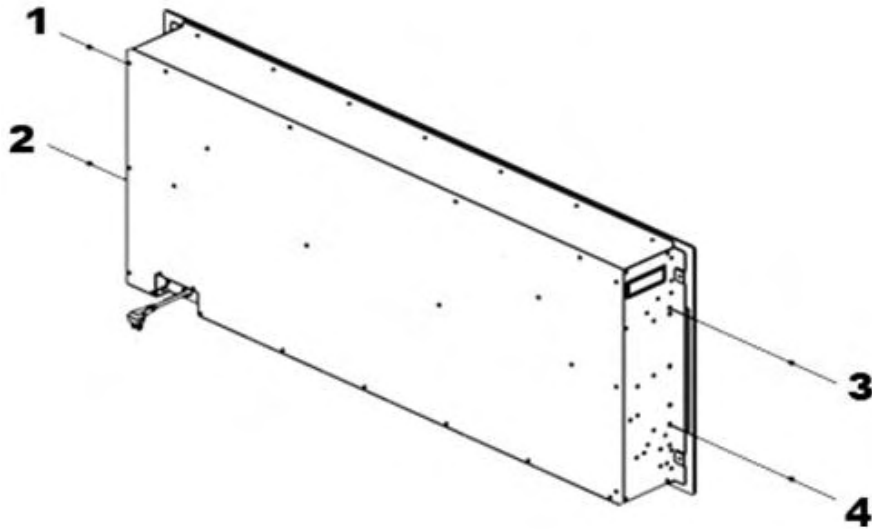
Prior to installation, it is best to remove the glass panel. Please remove the glass panel as per instructions below:

Instructions

1. Remove the 2 screws securing the glass panel to the fireplace.



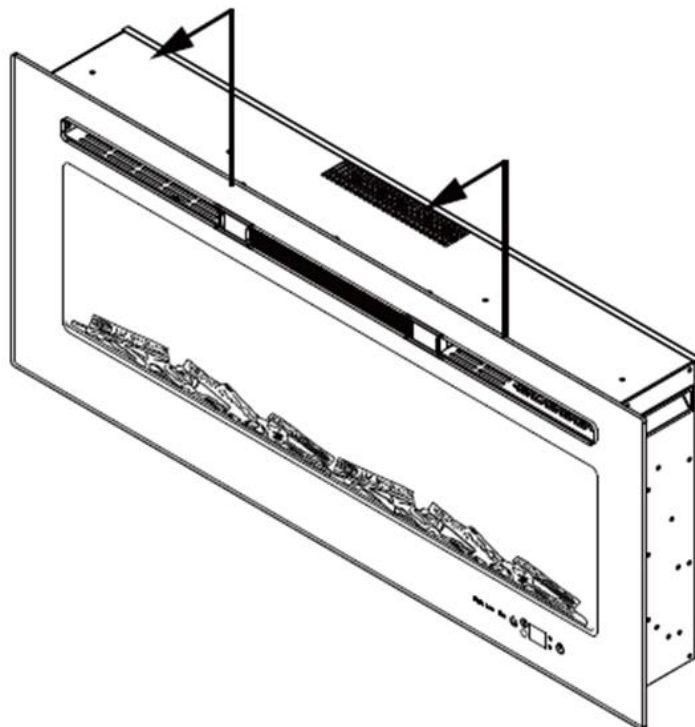
2. There are 4 screws securing the glass panel to the fireplace. Remove all 4 screws (2 on the left side and 2 on the right side). These screws are for shipping purposes only and will not be reused after installation.



Removing The Glass Panel – cont.

3. After removing screws, lift glass panel UP and STRAIGHT OUT toward you to remove from fireplace. Place glass panel in a soft, dry place.

CAUTION: *It is recommended that 2 people remove the glass panel to minimize chance of breakage.*

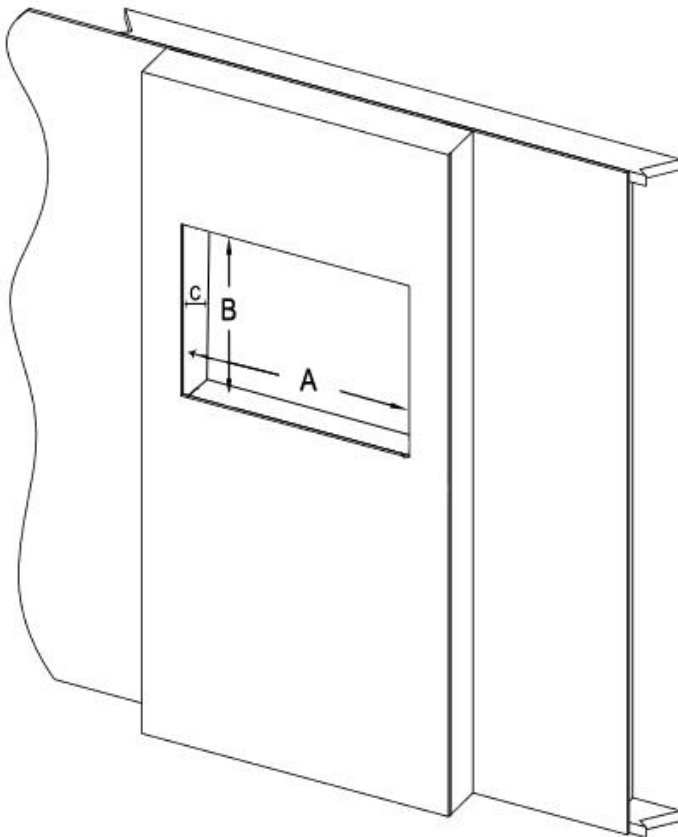


Recessed Installation

- Due to many different finish materials use on walls, it is highly recommended that you consult your local builder before you install this fireplace in the wall.
- Never install fireplace into load-bearing walls. When recessing fireplace in a wall, recess into non-load bearing walls ONLY!

Instructions:

1. Choose a location in the wall to install fireplace.
2. Create opening in the wall according to the rough opening dimensions listed in the chart below:

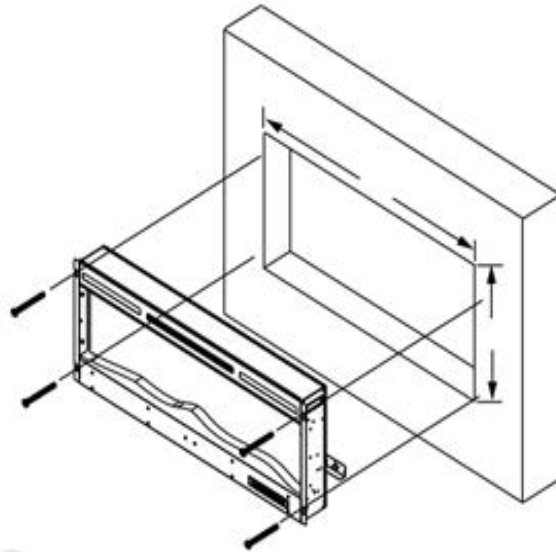


Rough Opening Dimension Chart

Model	A (Width)	B (Height)	C (Depth)
87026	23 9/16"	16 1/16"	5 3/4"
87028	25 9/16"	16 1/16"	5 3/4"
87030	27 1/4"	16 1/16"	5 3/4"
87032	29 9/16"	16 1/16"	5 3/4"
87034	31 9/16"	16 1/16"	5 3/4"
87036	33 9/16"	16 1/16"	5 3/4"
87040	37 9/16"	16 1/16"	5 3/4"

Recessed Installation – cont.

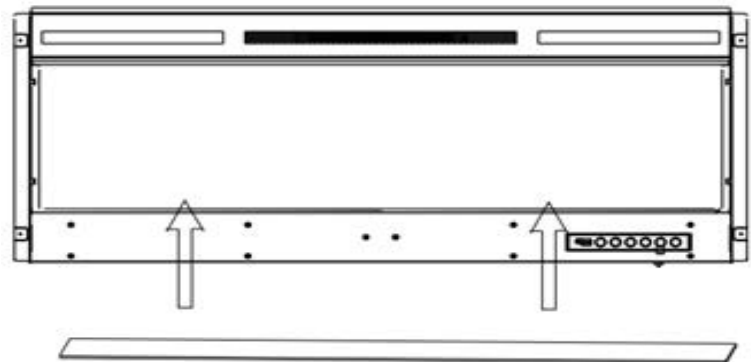
3. With the help of a second person, insert fireplace into wall opening and secure with mounting screws provided.



4. Once the fireplace is installed in the wall, place crystal embers or fire log in the fireplace.

a. Crystal Ember Installation

1. Place plastic tray strip in fireplace above the LED lights as shown in the diagram to the right.



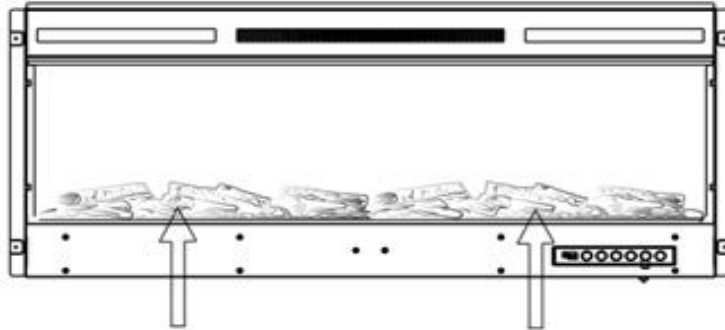
2. Carefully, place crystal embers on plastic strip as illustrated in the picture to the right. Apply an even layer from side to side.



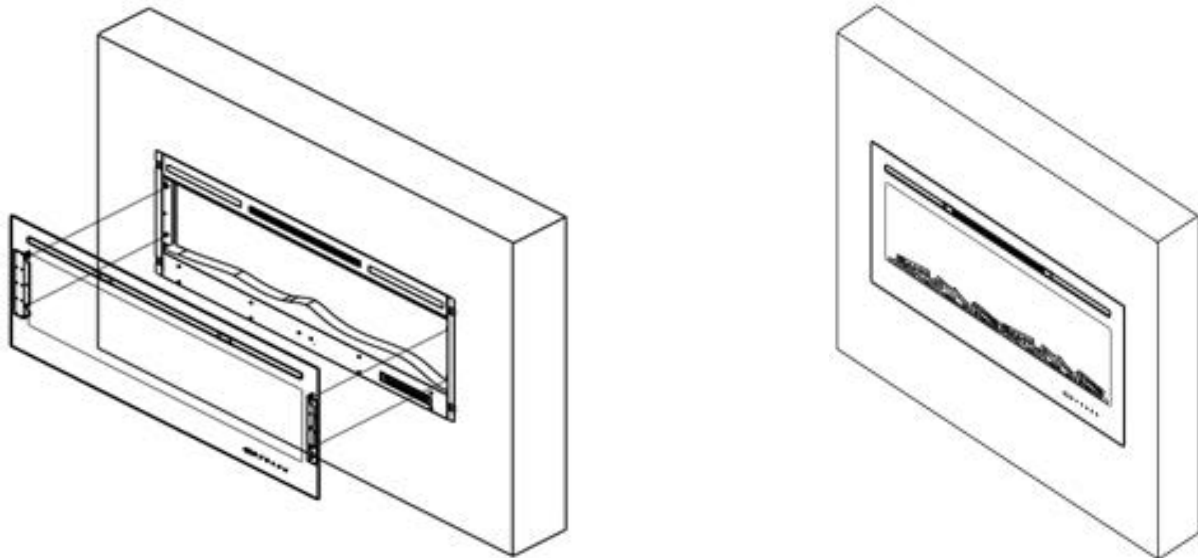
Recessed Installation – cont.

b. Fire log Installation

1. Place fire log in fireplace as illustrated below.

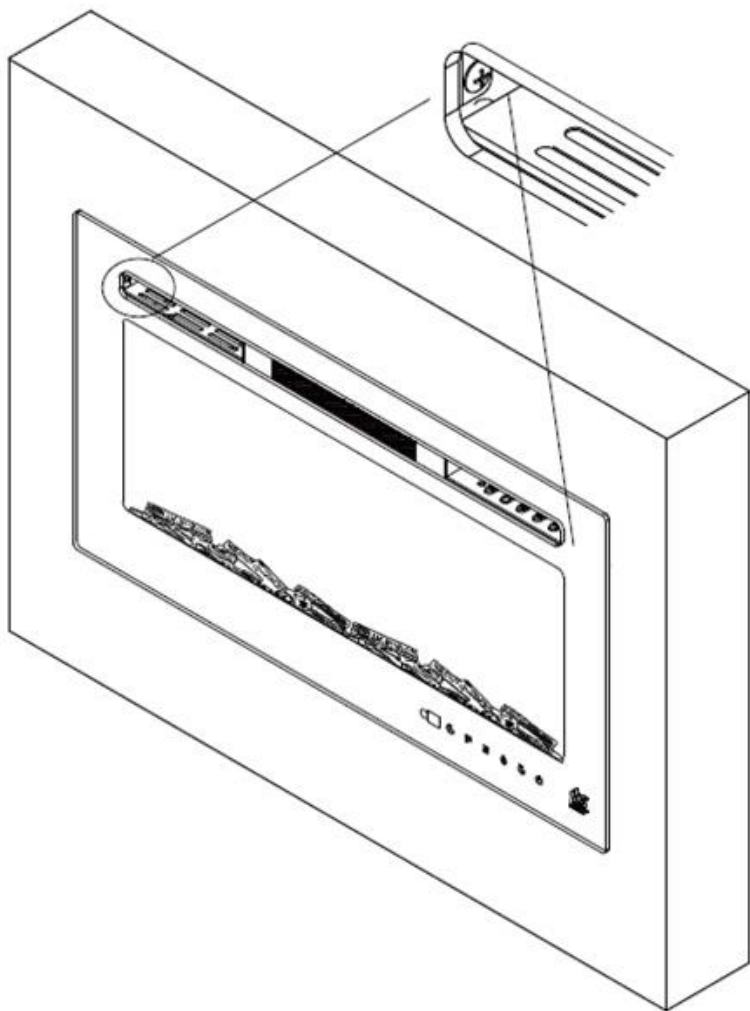


5. Once completed installing crystal embers or fire log, reinstall glass panel. The hooks on the back of the glass panels fit into the slots on the side of the firebox. Once in the slots, the glass panel goes down and locks into place.



Recessed Installation – cont.

6. Reinstall the 2 mounting screws to lock the glass panel in place, so it does not move during travel.



Operating Fireplace

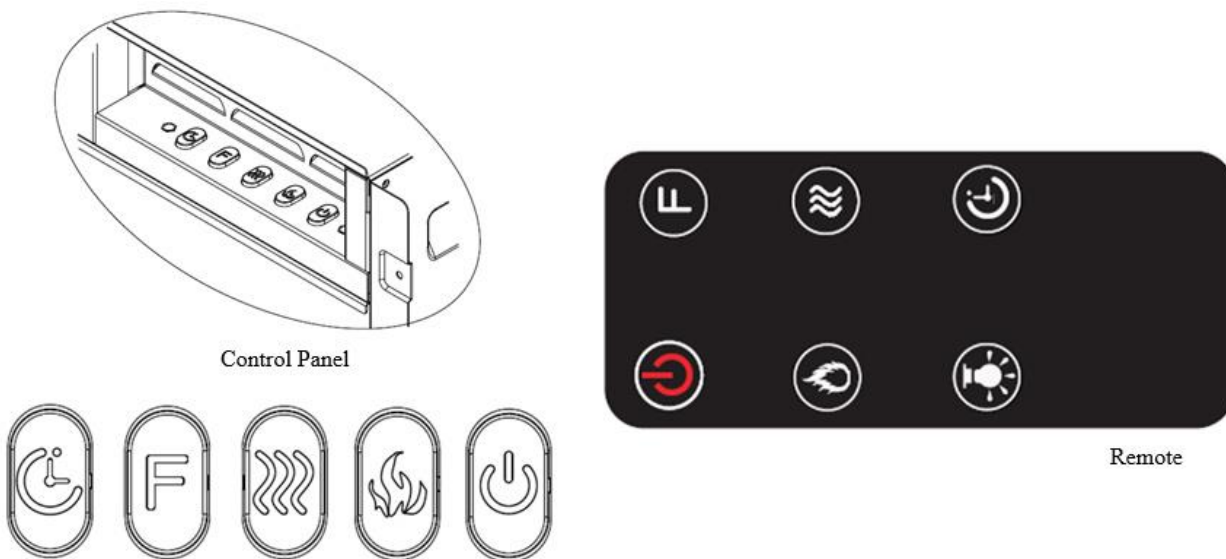
Once the fireplace has been plugged into a grounded outlet, the fireplace is now ready for operation. Ensure that the house circuit breakers for the power supply are turned on.

Power

Plug the power cable into a 110v 15 amp grounded outlet. Make sure the outlet is in good condition and that the plug is not loose. **NEVER** exceed the maximum amperage for the circuit. **DO NOT** plug other appliances into the same circuit.

Methods of Operation







This electric fireplace can be operated by the TOUCH PANEL, located in the TOP RIGHT vent opening in the front of the fireplace, or by the battery-powered REMOTE CONTROL. The operation and functions of the two methods are the same.

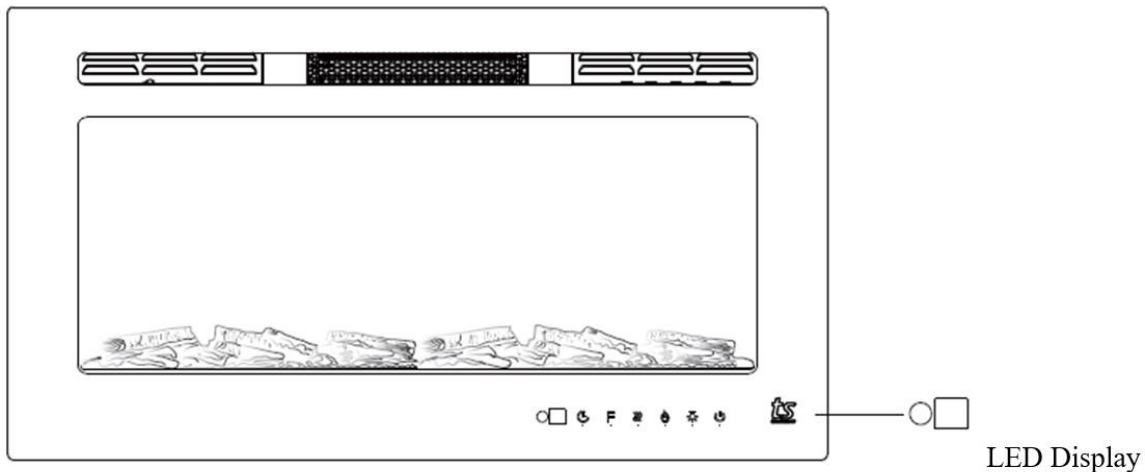


Remote Control Operation

- This remote control uses one CR2025 battery (included)
- Instructions for battery installation are located in the remote control battery compartment.
- To improve operation of the remote control, aim the remote control at the front of the fireplace. **DO NOT PRESS the buttons too quickly.** Give the unit time to respond to each command.
- **NOTICE: NEVER** dispose of batteries in fire. Failure to observe this precaution **may result in an explosion.** Dispose of batteries at your local hazardous material processing center.

Remote Control and Touch Panel Functions

BUTTON	FUNCTION	ACTION & INDICATION
 POWER	<p>ON: Enables control panel functions and remote control. Turns on the flame effect.</p> <p>OFF: Disables control panel functions and remove control. Turns off the flame effect.</p>	<ol style="list-style-type: none"> Press once. Indicator light turns on. Power turns on. All functions enabled. Press again. Flame effect turns off. Unit goes to standby. All functions turn off.
 TIMER	<p>TIMER button: Control time settings to turn off fireplace at selected time.</p> <p>Settings range from 1 hour to 8 hours.</p>	<ol style="list-style-type: none"> Press once. Increases the timer shut off time by 1 hour. Press again until desired setting is reached. Setting range from 1 to 8 hours.
 FLAME	<p>FLAME button: Makes flame effects dimmer or brighter.</p> <p>NOTE: Flame effect stays on until power button is turned off. Flame effect must be on for heater to turn on.</p>	<ol style="list-style-type: none"> Press once to change the flame brightness. Press again until desired setting is reached.
 COLOR	<p>COLOR button: Changes the color of the flame.</p> <p>NOTE: This option is only available through the remote control.</p>	<ol style="list-style-type: none"> Press once to change the color of the flame. Press again until desired flame color setting is reached.
 HEATER	<p>HEATER button: Turns heater on and off.</p> <p>NOTE: The heater only works when the flame effect is on.</p> <p>NOTE: To prevent overheating, the heater fan will blow cool air for 8-10 seconds before the heater turns on, and after the heater turns off.</p>	<ol style="list-style-type: none"> Press once. Indicator lights up. Fan blows cool air for 10 seconds and 750W heater turns on and blows warm air. Press again: Indicator lights up. 1500W heater turns on and blows hot air. Press again. Heater turns off.
 TEMP.	<p>TEMPERATURE button: Control temperature settings to choose temperature as desired.</p> <p>Setting ranges from 62F to 82F.</p>	<ol style="list-style-type: none"> Press once. LED display is turned on and temperature is set to 62F by default. Press again unit desired setting is reached. <i>Note: Heater will turn off when temperature reaches desired setting.</i>



Troubleshooting

Problem	Possible Cause	Solution
1. Fireplace turns off and will not turn on.	1. Fireplace has overheated and safety device has caused thermal switch to disconnect or home circuit breaker has opened.	1. Reset switch by turning main power off and waiting turning it back on or breaker circuit breaker.
2. Flame is not moving.	1. Loose wiring. 2. Flame motor defective 3. Flame rod out of place	1. Inspect wiring for loose connections. 2. Call a qualified service technician to replace flame motor. 3. "Flame Rod" out of place due to rough transit/handing of the product. This issue can be corrected as simple as removing the glass, flipping the fireplace upside and down, removing a set of screws that are holding the bottom frame plate and placing the flame rod back into place.
3 Flame is not visible.	1. Wiring is loose	1. Disconnect from power source and inspect wiring for loose connections and repair or replace if necessary. 2. Push the flame button to high
4 Log set and /or is not glowing.	1. Wiring is loose 2. Ember is off mode	1. Disconnect from power source and inspect wiring for loose connections and repair or replace if necessary.
5 Remote control does not work.	1. Low batteries. 2. Not aiming control correctly. 3. Defective remote control and /or sensor	1. Replace batteries in remote control. 2. Aim control at sensor located directly behind glass screen in center of unit just above logs. 3. Replace remote control and/or sensor.

Temperature Limiting Control

This heater is equipped with a Temperature Limiting Control. Should the heater reach an unsafe temperature, the heater will automatically **TURN OFF**. To reset, please do the following:

1. Unplug the power cord from the outlet.
2. Turn ON/OFF switch on the CONTROL PANEL to OFF. Wait 5 minutes for fireplace to cool down.
3. Inspect the fireplace to make sure no vents are blocked or clogged with dust or lint. If they are, use a vacuum to clean the vent areas.
4. With the POWER switch in the OFF position, plug the power cord back into the outlet.
5. If the problem continues, have your outlet and wiring inspected by a professional. If the outlet is OK, please contact our customer support department at 800-215-1990.

Care and Maintenance

Cleaning

- **ALWAYS** turn the heater **OFF** and unplug the power cord from the outlet before cleaning, performing maintenance, or moving the fireplace. Failure to do so could result in electric shock, fire, or personal injury.
- **NEVER** immerse in water or spray with water. Doing so could result in electric shock, fire, or personal injury.

Metal:

- Buff using a soft cloth, slightly dampened with citrus oil-based product.
- **DO NOT** use brass polish or household cleaners, as these products will damage the metal trim.

Glass:

- Use a good quality glass cleaner sprayed onto a cloth or towel. Dry thoroughly with a paper towel or lint-free cloth.
- **NEVER** use abrasive cleansers, liquid sprays, or any cleaner that could scratch the surface.

Vents:

- Use a vacuum or duster to remove dust and dirt from the heater and vent areas.

Plastic:

- Wipe gently with a slightly damp cloth and a mild solution of dish soap and warm water.
- **NEVER** use abrasive cleansers, liquid sprays, or any cleaner that could scratch the surface.

Maintenance

- **RISK OF ELECTRIC SHOCK! DO NOT OPEN any panels. No user-serviceable parts inside!**
- **ALWAYS** turn the heater **OFF** and unplug the power cord from the outlet before cleaning, performing maintenance, or moving the fireplace. Failure to do so could result in electric shock, fire, or personal injury.

Electrical and Moving Parts:

- The fan motors are lubricated at the factory and will not require lubrication.
- Electrical components are integrated in the fireplace and are not serviceable by the customer.

Storage:

- Store fireplace in a clean, dry place when not in use.

Warranty

Touchstone Home Products®, Inc warrants our electric fireplaces to be free of defects in material and workmanship for one year from date of purchase. Touchstone will repair or replace any fireplace or fireplace part that is deemed defective or becomes defective during normal use within one year after the date of purchase.

Electrical components, such as fan motor, heater motor, control board, remote control, and control panel are covered under warranty for one year from date of purchase. Touchstone Home Products® will provide replacement parts free of charge during the first year of the warranty.

Replacement parts and fireplace units are covered under a 90-day warranty or the remainder of the original one year manufacturer's warranty from original date of purchase, whichever is greater.

Touchstone Home Products®, Inc does not warrant its products against damage caused by third parties.

Touchstone Home Products®, Inc does not cover damages caused by misuse, alterations, accident, lack of maintenance, abuse or neglect. Parts installed from other manufacturers will void this warranty.

The warranty does not cover paint scratches, cosmetic blemishes, dents, corrosion, or other normal wear and tear associated with the fireplace. Damage to fireplace or other components due to water, weather damage, long periods of dampness, condensation, damaging chemicals or cleaners are not covered under warranty.

This warranty does not cover breakage of fireplace glass panel.

Touchstone Home Products® will not be responsible for installation, labor, or any other expenses related to the reinstallation of a warranted part, and such expenses are not covered under warranty.

Extended warranty coverage for the fireplace is available by contacting Touchstone Home Products® directly at 1-800-215-1990.

Notes:

 **CALL US FIRST!** 
DO NOT RETURN TO STORE.

For immediate help with assembly, product information,
or if your product arrives damaged, call our toll-free number at

800-215-1990

or email:

customerservice@thpus.com

Our staff is ready to provide assistance.