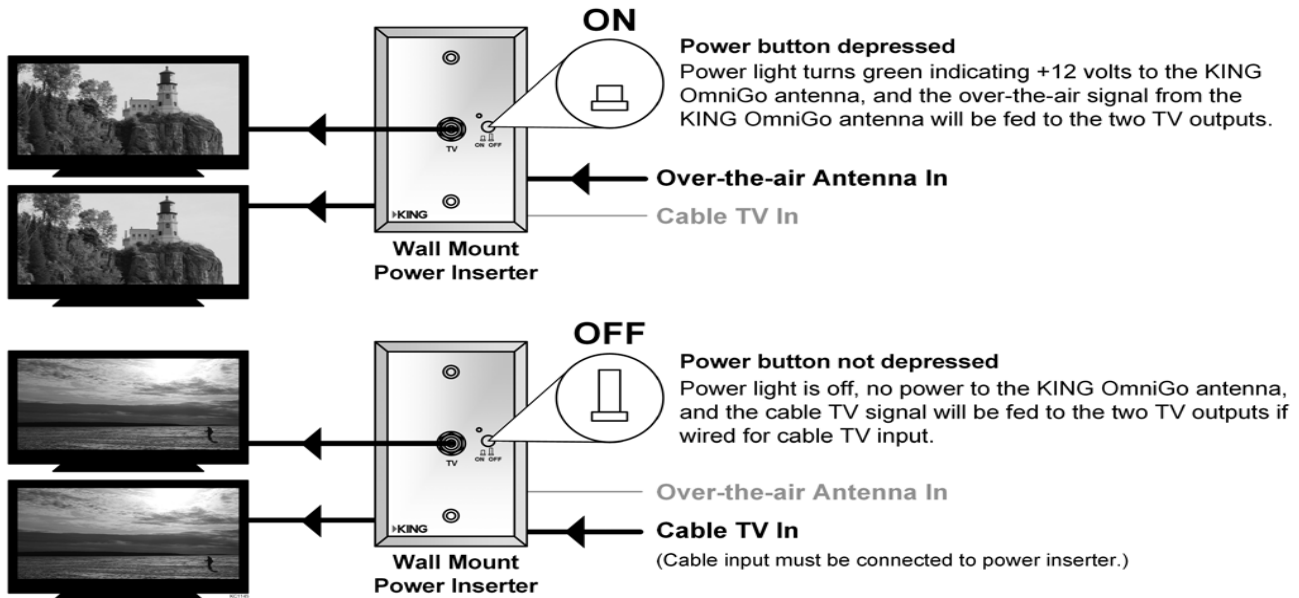


Digital HDTV Over-the-Air Antenna OA1650-OE (White) & OA1651-OE (Black)**Power Wall Plate Operation**

You will not receive channels if you are in an area without over-the-air broadcasts.
Do not power wash any part of the KING OmniGo antenna.

KING Wi-Fi Prewire Benefits

Pre-wiring for Wi-Fi allows end users to add a roof top Wi-Fi antenna paired with the KING WiFiMax router/range extender to access available free internet services thru an existing Wi-Fi source.

The KING prewire base allows the dealer to remove the TV antenna from the antenna base without interrupting the roof sealant or creating any new holes in the roof. Having the Wi-Fi coax installed at the factory enables a rooftop Wi-Fi antenna to be added directly to the KING OmniGo over the air antenna with the bracket included in the upgrade kit.

The KING WiFiMax Router Range Extender creates a secure local network inside the RV protecting the data of the users connected to the KING WiFiMax. The KING WiFiMax will give the end user more range away from the free Wi-Fi source (e.g. Campground wi-fi) as well as the security of a password protected router. KING WiFiMax will extend the range by 2 times over personal wireless devices (phone, iPad, laptop) and can be used alone or with an external antenna. A rooftop antenna connected to the KING WiFiMax will improve range by 3 to 6 times. All of this makes for a more seamless Wi-Fi experience.

The KING WiFiMax Router is necessary if not already installed, Part number KWM1000. The KING Swift (3X range) WiFi External antenna upgrade package is Part Number KS1000U, the KING Falcon (6X range) upgrade package is Part Number KF1000U(white) KF1001U(black). These upgrade kits are available by contacting KING customer service at 952.345.8147, and can be seen on the web at www.kingconnect.com