



DC FAN

12Volt DC Fans
RV36BN/RV42BN
RV36RB/RV42RB



Please Note the following
clarification of installation
instructions for 12Volt DC Fans:

Green Ground Wire should only be connected to Unit Ground System and to no other wires during the installation process.

Owner's Manual

SAFETY PRECAUTIONS

1. Before you begin installing the fan, disconnect the power by removing fuses or turning off circuit breakers. If you are unfamiliar with electrical wiring, secure the service of qualified and licensed electrician.
2. **CAUTION:** Read all instructions and safety information before installing your new fan.
Review the accompanying assembly diagrams.
3. **CAUTION:** To reduce the risk of personal injury, install the primary mounting means and use only the hardware provided with the fan.
4. Make sure that all electrical connections comply with local codes, ordinances, or National Electrical Codes ANSI/NFPA 70-1999 Hire a qualified electrician or consult a do-it-yourself wiring handbook if you are unfamiliar with installing electrical wiring.
5. If you are mounting the fan to a joist, make sure it is able to support the weight of the fan when it is operation (at least 50 lbs.)
6. After you install the fan, make sure that all connections are secure to prevent the fan from falling.
7. Do not insert anything into the fan blades while fan is operating.

WARNING:

1. To reduce the risk of personal injury, do not bend the blade holders when installing the brackets balancing the blades, or cleaning the fan. Do not insert foreign objects in between rotating fan blades.
2. To reduce the risk of fire, electric shock, or personal injury, mount to outlet box marked acceptable for fan support and use mounting screws provided with the outlet box.
3. To reduce the risk of fire, or electric shock, do not use this fan with any solid-state speed control device.
4. Mount only to an outlet box marked acceptable for fan support.

CAUTION :

1. To reduce the risk of personal injury, use only the three steel screws (and lock washer) provided with the fan for mounting to the outlet box.
2. To reduce the risk of personal injury, install the primary mounting means and use only the hardware provided with the fan
3. the model or type reference of a luminaire that may be installed in a fan constructed for this purpose.
4. whether the fan is intended for mounting in outside windows or walls (for partition fans).
5. that the fan is to be installed so that the blades are 80" from ceiling height the floor (for fans intended to be mounted at high level).
6. that precautions must be taken to avoid the back-flow of gases into the room from the open flue of gas or other fuel-burning appliances (for duct and partition fans).

Made in China

ASSEMBLY INSTALLATION INSTRUCTION

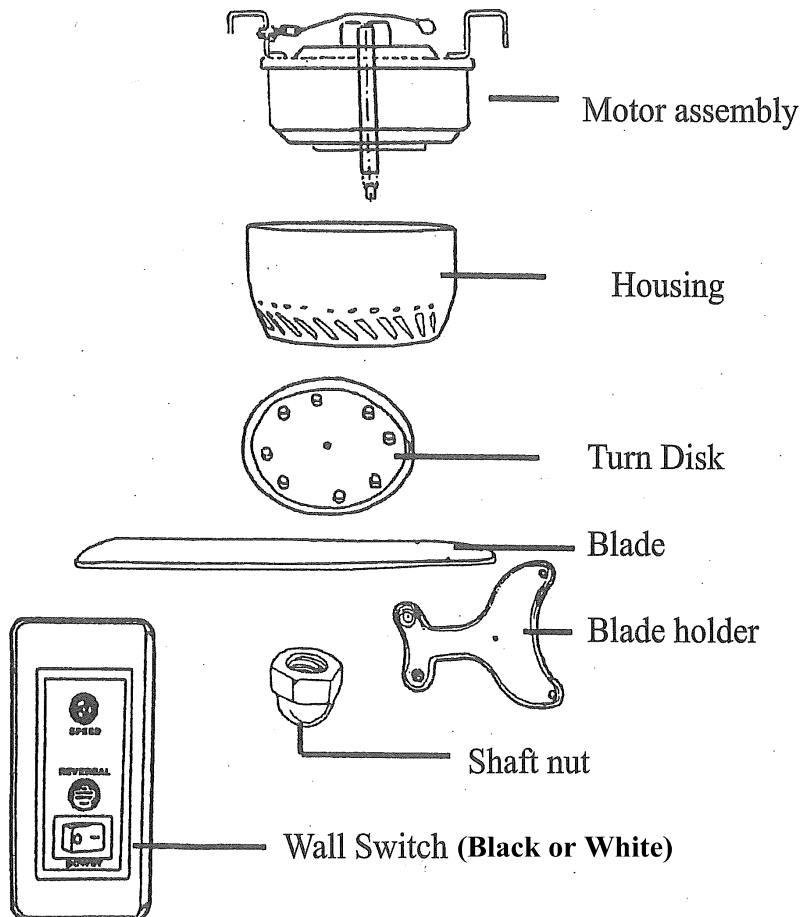
**CAREFULLY READ AND SAVE THESE INSTRUCTIONS
FOR SAFE OPERATION AND INSTALLATION**

**NOTICE : THESE INSTRUCTIONS ARE INTENDED TO BE USED AS A GUIDE ONLY.
PROPER INSTALLATION OF THE FAN IS THE RESPONSIBILITY OF THE USER**

FAN CONSTRUCTION :

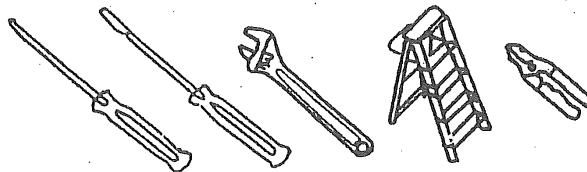
Parts List

1. Fan motor assembly
2. Housing
3. Turn Disk
4. Blade (4)
5. Blade holder (4)
6. Wall switch
10. Hardware bags containing :
 - A.) Blade holder screws
 - Motor screws
 - B.) Blade screws and washers
 - C.) Wood screws
 - D.) J-hook
 - E-clip slot
 - Flat washer
 - Wire nut
- E.) Shaft nut



Tools and Materials Required

- Philips screw driver
- slotted screw driver
- Adjustable wrench
- Step ladder
- Wire cutters
- Wiring supplies as required by electrical code

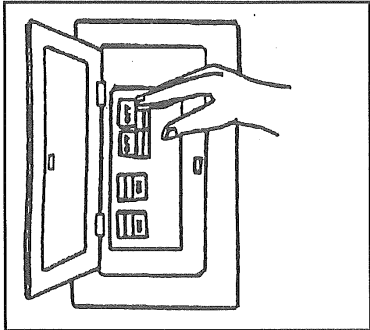


INSTALLING THE FAN

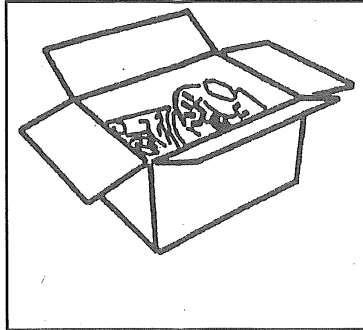
WARNING : TO AVOID RISK OF ELECTRICAL SHOCK, BE SURE TO SHUT OFF POWER WHILE INSTALLING OR SERVICING THIS FIXTURE

NOTE : Before installing, consult local electrical codes for wiring and grounding requirements.

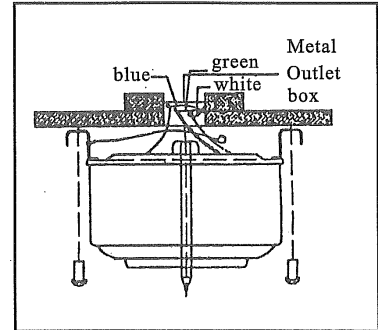
INSTALLATION STEPS :



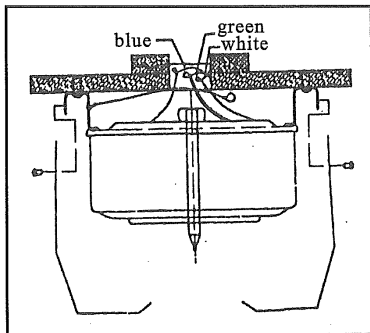
Turn off the electrical power



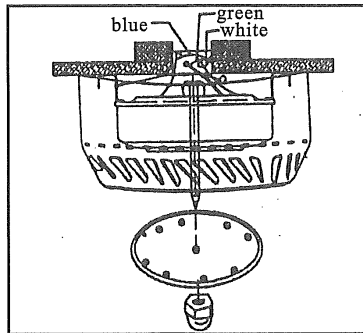
Open carton and spread out all components.



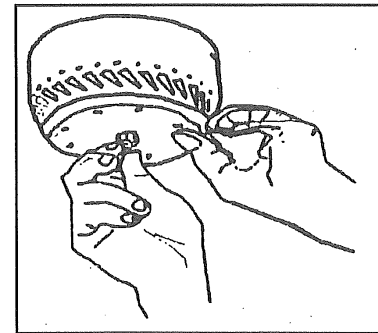
Install J-Hook at the place above the motor to be installed.
Secure Motor by fastening three wood screws into wooden stud.
Install safety cable.



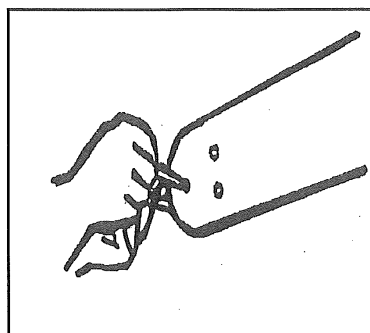
Position the motor housing to the motor aligning screw holes. Tighten the three screws to secure the motor housing. Be careful not to damage or cut the fan wires.



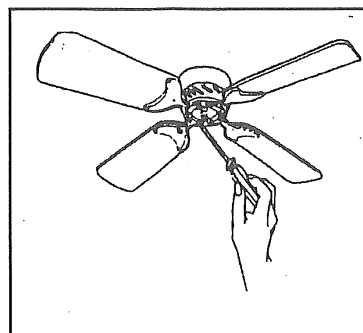
1. Secure one flat washer into the shaft of the fan motor.
2. Align the slot of turning disk and insert into shaft of the motor.
3. Clip on the E-clip slot into the slot of shaft for temporary securing the disk



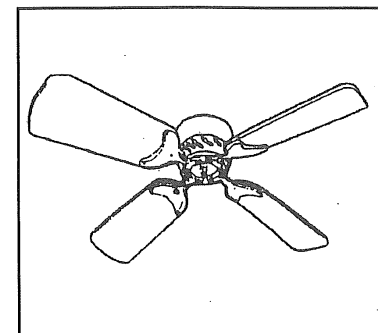
Tighten the turning disk by the securing shaft nut.



Tighten the blades to blade holders with blade screws and washers



Secure the blade holders to the turning disk



Turn on the electrical power.

INSTALLATION THE WALL SWITCH :

1. Install the speed control switch in a device box as shown.
2. Route DC12V positive and negative wire up through the opening.

CAUTION : Connect to only DC12V power supply

3. Wire connection :

- White wire form fan to white device box one side, with a wire nut.
 - Blue wire form to blue device box one side, with a wire nut; green wire from fan to green device box one side with a wire nut.
 - White wire form device box side to white wire from wall switch: with a wire nut.
 - Blue.wire from device box side to blue wire form wall switch: with a wire nut.
 - Red wire from wall switch to wire from device box another side connect the Battery positive(+) with a wire nut.
 - Black wire from wall switch to wire from device box another side connect Battery negative(+) with a wire nut.
4. Secure the wall switch to the mounting surface with two wood screws provided.
 5. Clip on the panel over the wall switch

PLEASE NOTE : Replace the wall switch fuse:

1. Turn off the electrical power.
2. Remove the panel and one screw on the surface in wall switch.
3. Take off the old fuse to replace new fuse.
4. Retight screw secure again.
5. Reinstall the wall switch

FUNCTIONS OF WALL SWITCH :

1. Turn on the power and check operation of fan.
2. Turn on the wall switch.
3. You fan has two type control on the wall switch as follows :

(A) SPEED CONTROL

<u>PRESS</u>	<u>SPEEDS</u>
--------------	---------------

- | | |
|---|---------------------|
| 1 | 100% --- High speed |
| 2 | 75% --- Medium High |
| 3 | 50% --- Medium |
| 4 | 25% --- Low |

(B) DIRECTION CONTROL (REVERSE SWITCH)

All fan are shipped from the factory with the reversing swith positioned to circulate air downward.

If airflow is desired in opposite direction, press the " Reversal " botton to select opposite position.

In warmer weather, downward airfolw will producing a cool breeze.

In cooler weather, upward airflow mover stagnant hot air off the ceiling area.

This allows for lower tempeature setting on your heating unit without a reduction in the comfort level.

TROUBLE SHOOTING GUIDE

If you have difficulty operating your new ceiling fan, it may be the result of incorrect assembly, installation or wiring. In some cases, these installation errors may be mistaken for defects. If you experience any problems, please check this Trouble Shooting Chart. If a problem cannot be remedied or you are experiencing difficulty in installation, please call our Customer Service Department.

TROUBLE

SUGGESTED REMEDY

1. If fan does not start :

CAUTION : Connect to ONLY DC 12V supply before turn on the fan.

1. Check the main and branch circuit fuses of circuit breakers.
2. Turn off electrical power and check all wire connections to fan and wall switch.
3. Make sure that the wall switch is in the "On" position.

2. Noisy Operation :

1. Make sure all screws in motor housing are snug. (not over tightened)
2. Make sure the screws which secure the fan blade holder to the motor are tight.
3. Allow "break-in" period of 24 hours. Most noises associated with a new fan will disappear after this period.

3. Excessive wobbling :

All blades are weighed and grouped by weight. Natural woods vary in density which could cause the fan to wobble even though all blades are weight-matched. The following procedures should eliminate most of the wobble. Check for wobble by following the steps listed below.

1. Check that all blades are screwed firmly to blade holders.
2. Check that all blade holders are tightened securely to motor.
3. Make sure that motor are tightened securely to ceiling joist
4. Check distance between blade tip to blade tip. All measurements should be equal. Loosen and retighten the blades if necessary.
5. Check distance from tip of blades to ceiling. Gently bend up or down the blade until all distances are the same.
6. If blade wobble is still noticeable, interchange two adjacent (side by side) blades for redistributing the weight.