

INSTALLATION, OPERATION AND SERVICE MANUAL



RECREATIONAL VEHICLE DROP-IN COOKTOPS

Models
SDN2 • SDN3



FOR YOUR SAFETY

WARNING: IF THE INFORMATION IN THIS MANUAL IS NOT FOLLOWED EXACTLY, A FIRE OR EXPLOSION MAY RESULT CAUSING PROPERTY DAMAGE, PERSONAL INJURY OR DEATH.

DO NOT STORE OR USE GASOLINE OR OTHER FLAMMABLE VAPORS AND LIQUIDS IN THE VICINITY OF THIS OR ANY OTHER APPLIANCE.

WHAT TO DO IF YOU SMELL GAS

- DO NOT TRY TO LIGHT ANY APPLIANCE. EXTINGUISH ANY OPEN FLAME INCLUDING CIGARETTES.
- EVACUATE ALL PERSONS FROM THE VEHICLE.
- DO NOT START THE VEHICLE'S ENGINE OR ELECTRIC GENERATOR.
- DO NOT TOUCH ANY ELECTRICAL SWITCH (INCLUDING LIGHTS) OR USE ANY PHONE OR RADIO IN THE VEHICLE.
- SHUT OFF THE GAS SUPPLY AT THE GAS CONTAINER (BOTTLE) OR SOURCE.
- IMMEDIATELY CALL YOUR GAS SUPPLIER FROM A NEIGHBOR'S PHONE. FOLLOW THE GAS SUPPLIER'S INSTRUCTIONS.
- IF YOU CANNOT REACH YOUR GAS SUPPLIER, CALL THE FIRE DEPARTMENT.
- DO NOT TURN ON THE GAS SUPPLY UNTIL THE GAS LEAK(S) HAVE BEEN REPAIRED.

INSTALLATION AND SERVICE MUST BE PERFORMED BY A QUALIFIED INSTALLER, SERVICE AGENCY OR THE GAS SUPPLIER.

IMPORTANT:

INSTALLER: PROVIDE THIS MANUAL TO THE OWNER/USER OF THE RECREATIONAL VEHICLE.

OWNER: RETAIN THESE INSTRUCTIONS AND WARRANTY FOR FUTURE REFERENCE. READ THIS MANUAL CAREFULLY BEFORE OPERATING APPLIANCE. FOLLOW ALL SAFETY NOTICES AND WARNINGS.

ALL TECHNICAL AND WARRANTY QUESTIONS SHOULD BE DIRECTED TO THE COMPANY LISTED ON THE WARRANTY, OR RATING PLATE LOCATED UNDERNEATH THE MAIN TOP.



SUBURBAN MANUFACTURING COMPANY
676 Broadway Street
Dayton, Tennessee 37321
423-775-2131
Fax: 423-775-7015
www.rvcomfort.com

INTRODUCTION

1. Your Drop-in Cook top has been certified by CSA for the U.S.A. and Canada for use with LP/Propane gas only.
2. Your cook top is one of the following models: SDN2 or SDN3.
3. Model number letter designation:
S - Suburban
D - Drop-in
N - New design
- Number of burners
4. The complete model, serial number and stock number are located on the CSA label located under the top. This information will be needed when servicing appliance or ordering parts. Record the information below and retain for future reference. Replacement parts can be ordered through your local dealer or Suburban Service Center. To obtain information on locating a local service agency, call Suburban Manufacturing Company, Customer Service Department, (423) 775-2131.

Model No. _____ Stock No. _____

Serial No. _____ Date of Purchase _____

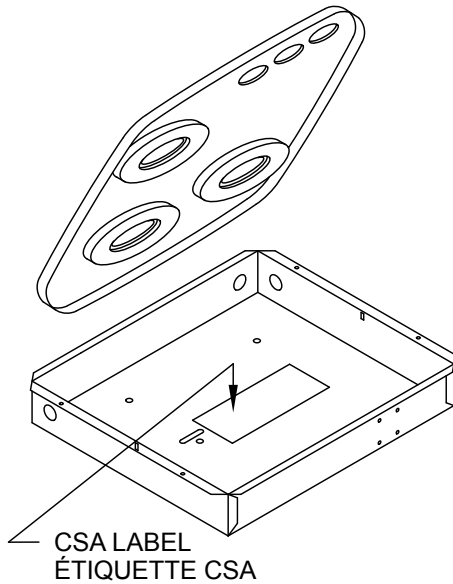


Figure 1

5. The cook top is designed certified for use with LP/Propane gas only. **Do not attempt to convert to natural gas.**
6. Gas supply pressure for checking of the regulator setting shall be at least 1" W.C. above the suggested manifold pressure.
Minimum Gas Supply Pressure - 11" W.C.
Maximum Gas Supply Pressure - 14 " W.C.

INSTALLATION

WARNING! Installation of this appliance must be made in accordance with the written instructions provided in this manual. No agent, representative or employee of Suburban or other person has the authority to change, modify or waive any provision of the instructions contained in this manual.

1. In the U.S.A., the installation must conform with state or other codes or in the absence of such codes, refer to the latest edition of:
 - a. Standard for Recreational Vehicles NFPA 1192.
 - b. National Fuel Gas Code ANSI Z223.1/NFPA 54
- In Canada, the installation must be in accordance with:
 - a. Standard CAN/CSA 240.4.2-08, Installation Requirements for Propane Appliances and Equipment in Recreational Vehicles.
 - b. Any applicable local codes and regulations
2. Minimum clearances from combustible walls above and below counter:

Models	Below Counter	Center of Burner Head(s) to adjacent vertical combustible material above the cooking surface burners.		
	Sides, Rear and Bottom	Right Sidewall	Left Sidewall	Backwall
SDN2	0"	5 7/8"	5 7/8"	8"
SDN3	0"	5 5/8"	6"	8"

3. Cut-out dimensions illustrated in Figure 2 are as follows:

Model	Dimensions				
	A	B	C*	D*	E
SDN2	16 3/8	11 5/8	2 3/16	3/4" min.	18"
SDN3	18 15/16	16 1/8	2 1/16	2 3/8" min.	21"

*Minimum acceptable spacing between adjacent models is 3 inches.

WARNING: Installation of cook top cannot be such that the user is required to reach over any of the burners to reach the knobs.

4. Before placing drop-in cook top into cabinet, determine which one of the three knockout openings in the burner box (left side, right side or rear) will be used for routing of the gas supply tubing to the pressure regulator. After making selection, knockout the 1 inch plug. Place drop-in cook top into the prepared opening and secure to cabinet with four (4) wood screws. (Not provided)

5. Route gas line through opening in burner box and connect the gas line to the 3/8" flare fitting inside the burner box. Place nylon bushing over gas line and insert bushing into opening in burner box.

CAUTION: Gas supply tubing within the confines of the appliance connection shall be rigid or semi-rigid metallic tubing.

6. Be sure all openings in the cabinetry around the gas line are sealed at time of installation.

CAUTION: It is imperative that the cabinet in which the cook top is placed be separated from other appliances so that the combustion air supply to the top burners can not be affected in any way by any forced-air heating appliance or its return air system or by any other source of positive or negative air pressure. A negative air pressure created by another forced air appliance may draw the flame down around the top burners and into the cook top resulting in damage to the burners and cook top, as well as possible personal injury and/or damage to vehicle. A positive draft could cause the burner flame to lift-off the burner and go out resulting in an uncontrolled escape of gas. Whenever the gas fumes reach an open flame or another ignition source, an explosion and/or fire will occur resulting in property damage, personal injury and/or loss of life.

7. Be sure burner knobs are in "off" position. Turn on gas supply. Check all connections for leaks.

WARNING: Never check for leaks with an open flame. Apply a soap and water solution to all joints to see if bubbles are formed.

NOTE: The appliance must be disconnected from the gas supply piping system during any pressure testing of that system at test pressure in excess of 1/2 PSIG.

8. Remove the top and the grate(s) from their packing - Install the grate(s) on the top.
9. Position the top over the burners and secure in place with two (2) thumb screws and two (2) nylon washers provided.
10. Your Suburban Drop-in Cook top is now ready for operation. Before operating, read the safety information and operating instructions contained in this manual.
11. If installation of this product is in a portable counter top, the following additional guidelines must be followed:
 - a. Portable counter top is provided b installer and must be able to support a minimum weight of 20 lbs.
 - b. OEM must provide a label placed on the counter top that clearly states the maximum weight that can be added to the portable counter top after installation. (This should take into account the weight of the cooking unit - 20 lbs).

FOR EXAMPLE: Mounting bracket used is rated for 100 lbs. OEM should weigh fabricated counter top. Subtract weight of counter top (i.e.

- 20 lbs) and weight of cooking unit (20 lbs.) from 100 lbs. The weight label should sa no more than 60 lbs. can be put on the counter top.
- c. The surface material for the counter tip must be rated for a minimum of 200° F continous coperation temperature with the maximum weight applied.
- d. Minimum clearances from combustibile walls above and below the counter top must be adhered to during operation.
- e. The OEM must provide a warning label placed on the counter top that requires the unit to be cooled a minimum of 30 minutes after use before storing.
- f. During storage, a clearance of 1" must be maintained from the top surface of the unit.
- g. **NOTE:** The gas must be turned "OFF" and disconnected when stored.

SAFETY INFORMATION

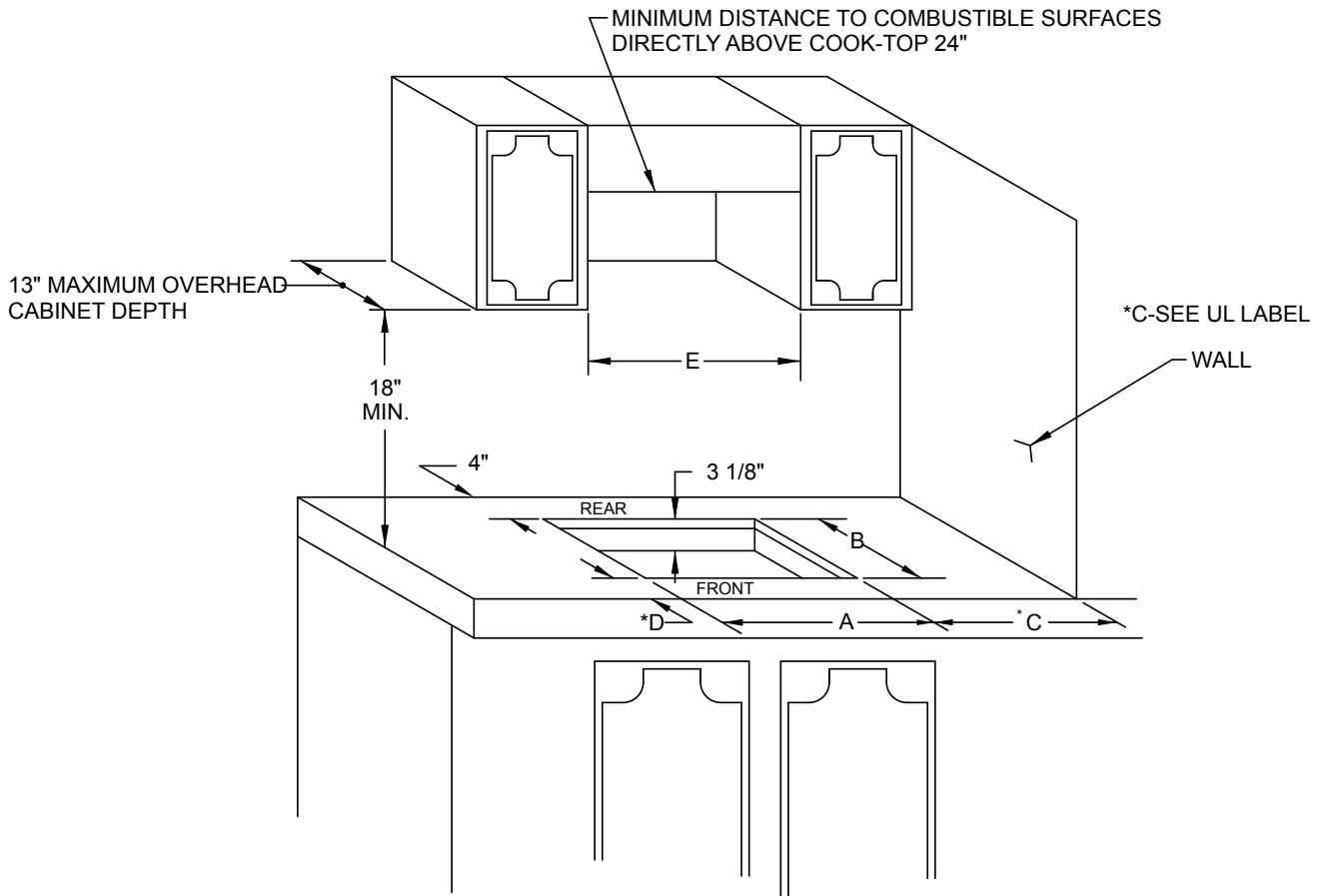


Figure 2

Listed below are some very important facts that you should follow. They are listed for your protection and safety.

1. Have your dealer show you where the main gas shut-off valve is located and how to shut it off in an emergency.
2. Use your cook top only for its intended use.

WARNING! NEVER use this appliance as a space heater to heat or warm the room. Doing so may result in carbon monoxide poisoning and overheating of the appliance.

3. If the cook top is near a window, proper precautions should be taken to prevent curtains from blowing over burners creating a fire hazard.
4. Keep the area around the cook top clean and clear of any combustible materials, gasoline or other flammable vapors and liquids.
5. Do not leave children alone or unsupervised in area where cook top is being used. The top burners, burner grates and other areas near the burners become hot enough to cause severe burns.
6. Children should be taught that the cook top is not a toy. They should not be allowed to play with the controls or any other parts of the appliance.
7. Do not store items of interest to children in cabinets above or near the cook top. Children climbing on the appliance to reach items could be seriously injured.
8. Do not wear loose fitting clothing or long-hanging sleeved clothing while using the appliance. If they contact the open flame of the burner, they could ignite and cause severe burns.
9. Use only **dry** pot holders to remove hot utensils. Using damp pot holders on hot surfaces could result in burns to hands. Do not use a towel or bulky cloth for a pot holder. The cloth could contact open flame and catch fire.
10. Never heat an unopened container. Pressure build-up within the container can cause it to explode.
11. Keep cook top clean. The build-up of grease and food boil-over and/or spillage can create a fire hazard.
12. Avoid using your cook top or any other appliance if you smell gas. Do not

assume that the smell of gas in your RV is normal. Any time you detect the odor of gas, it is to be considered life threatening and corrected immediately. Extinguish any open flames including cigarettes and evacuate all persons from the vehicle. Shut off gas supply at LP gas bottle. (See safety notice on front cover of this manual.)

13. Turn pan handles inward or toward back of cook top and out of the way of people walking past cook top and/or out of the reach of children. Do not turn handles to where they are over the burners.
14. Do not use water on grease fires. Never pick-up a flaming pan. Smother a flaming pan with a lid or flat pan. Flaming grease outside the pan can be extinguished with baking soda or a multipurpose dry chemical fire extinguisher.
15. Never leave top burner(s) unattended.
 - a. For such reasons as down drafts that could be created by opening and closing of cabinet doors or doors within the RV or by positive or negative air pressures affecting burners due to improper installation. (See paragraph 6 under Installation.) The burner could extinguish resulting in gas escaping into the RV. Remember, gas to burners is controlled manually, you must turn gas "ON and "OFF".
 - b. A boil over could occur and the spill could ignite.
16. Flame size
 - a. Never extend the flame beyond the outer edge of the utensil. A higher flame simply wastes heat and energy.
 - b. Correct flame size is determined by utensil size and material, what you are cooking and whether or not you are cooking with liquid.
17. To prevent damage to the cook top, top burners, or top grate, never operate a top burner without a pan in place. The top burners, especially the high input burner (if equipped), should not be operated on high for an extended period of time.

Use the high flame setting to begin, then reduce the flame to a lower setting to continue cooking. Never use cookware which extends beyond one inch of the grate, or rests over two operating top burners. This will cause excessive heat build-up which results in damage to the grate, top burner, and cook top.

OPERATING INSTRUCTIONS

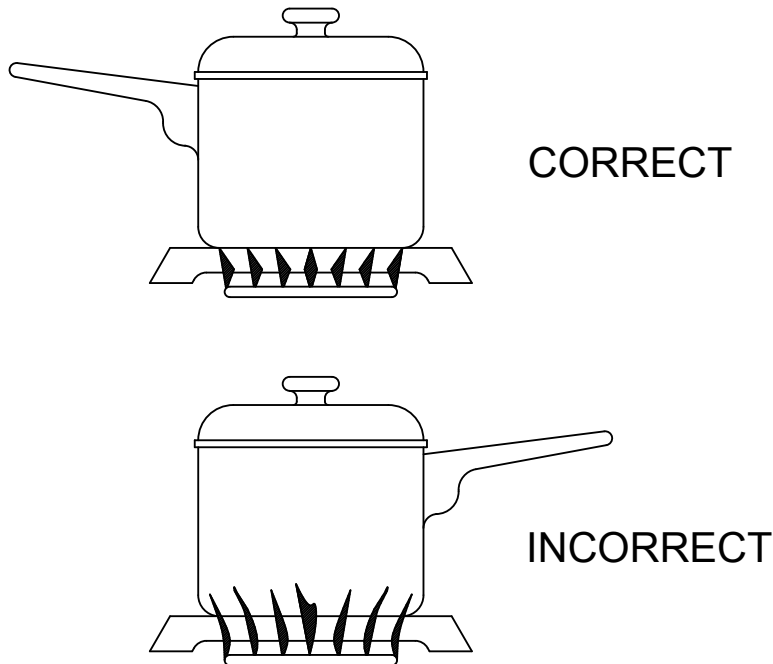


Figure 3

1. Know which knob controls which burner. Always be sure the correct burner is turned on.
2. Depress knob and turn fully counter-clockwise to "Lite" position.
 - a. Verify sufficient gas supply before attempting to light the burner. Air in the gas line will significantly delay burner ignition. The burner may light unexpectedly as the air in the line clears and is replaced by LP gas. This unexpected ignition could burn you. Air in the gas lines may occur after the vehicle gas bottle and/or tank is refilled, during and after servicing other appliances on same gas line, etc.
 - b. **Do not attempt to light more than one burner at a time.**
 - c. Immediately light burner by holding a long match near the burner ports.

CAUTION: Hand held ignitors may be used but be sure they are the type designed for lighting open flame burners.

3. If any burner should extinguish after initial lighting or due to accidental blow-out, turn gas off by turning control knob clockwise to "OFF", wait five (5) minutes before attempting to relight the burner. Failure to follow these instructions could result in a fire or explosion.

If the burner should go out while cooking, or if there is an odor of gas, turn control knob(s) clockwise to "OFF". Wait five (5) minutes for gas odor to disappear. If gas odor is still present - Do not relight burners. See "What To Do If You Smell Gas" on the front cover of this manual.

4. To turn burner(s) "OFF", turn the appropriate control knob clockwise to "OFF".

WARNING! Be sure all control knobs are turned "OFF" when you are not cooking. Someone could be burned or a fire could start if a burner is accidentally left on or unattended even if only momentarily.

MAINTENANCE

WARNING! If the user of this appliance fails to maintain it in the condition in which it was shipped from the factory or if the appliance is not used solely for its intended purpose or if appliance is not maintained in accordance with the instructions in this manual, then the risk of a fire and/or the production of carbon monoxide exists which can cause personal injury, property damage or loss of life.

1. Make sure all controls are "OFF" and the drop-in cook top is cool before cleaning.
2. Make sure that all cook top surfaces, burner grates and burners are cool before cleaning or disassembling cook top.
3. Do not use oven cleaners, bleach or rust removers on the cook top or burner grates.
4. Do not obstruct the flow of combustion and ventilation air.
5. Clean all surfaces as soon as possible after boil overs or spill overs.
6. Use warm soapy water only to clean the burner grates, cook tops, painted surfaces, porcelain surfaces, stainless steel surfaces and plastic items on your drop-in cook top. Do not use grit or acid-type cleaners.
7. Do not use steel wool or abrasive cleaners. They will damage your drop-in cook top. Use only non-abrasive plastic scrubbing pads.
8. Do not allow foods containing acids (such as lemon or tomato juice, or vinegar) to remain on porcelain or painted surfaces. Acids may remove the glossy finish.
9. Do not wash warm porcelain surfaces. Allow these areas to cool before cleaning. You could burn yourself or the porcelain could crack.
10. Pitting and discoloration will result if spills are allowed to remain for any length of time on stainless steel.
11. Do not allow spill overs to remain on the burner caps. The caps could be permanently stained if spill overs are not cleaned up promptly.
12. If any of the burner ports or the orifice are clogged, carefully clean with a small wire or needle. Be sure not to enlarge ports. Never use a wire brush for cleaning burner ports or orifice. Never use any brush which may "shed" bristles, which may become lodged in the orifice or burner ports and cause a fire or explosion.

TO REMOVE THE STOVE TOP

1. Remove the two (2) thumb screws from the sides of the stove top. Lift the stove top clear of the burner box.
2. To reinstall top, reverse the procedure.

TO REMOVE GRATE(S)

1. Remove the top.
2. Squeeze opposite sides of the grate together and lift free of the drop-in top.
3. To reinstall grate(s) reverse the procedure.

LIMITED WARRANTY

SUBURBAN RECREATIONAL VEHICLE COOKING APPLIANCE

TWO YEAR LIMITED WARRANTY

This Suburban product is warranted to the original purchaser to be free from defects in material and workmanship under normal use and maintenance for a period of two years from date of purchase whether or not actual use begins on that date. All porcelain parts, including top burner grates, are warranted as commercially acceptable only as of the date the product was manufactured. It is the responsibility of the consumer/owner to establish the warranty period. Suburban does not use warranty registration cards for its standard warranty. You are required to furnish proof of purchase date through a Bill of Sale or other payment records.

Suburban will replace any parts that are found defective within the first two years and will pay a warranty service allowance directly to the recommended Suburban Service Center at rates mutually agreed upon between Suburban and its recommended service centers. Replacement parts will be shipped FOB the shipping point within the Continental United States, Alaska and Canada to the recommended service center performing such repairs. All freight, shipping and delivery costs shall be the responsibility of the owner. The exchanged part or unit will be warranted for only the unexpired portion of the original warranty. Before having warranty repairs made, confirm that the service agency is a recommended service center for Suburban. DO NOT PAY THE SERVICE AGENCY FOR WARRANTY REPAIRS; SUCH PAYMENTS WILL NOT BE REIMBURSED.

Suburban reserves the right to examine the alleged defect in the range appliance or component parts, and it is the owner's obligation to return the range appliance and/or component parts to Suburban or its representative. When returning a range appliance, it must include all component parts and the serial number plate. Returned component parts must be individually tagged and identified with the range appliance's model number, serial number and date of installation.

For warranty service, the owner/user should contact the nearest recommended Suburban Service Center, advising them of the model and serial numbers (located underneath the main top) and the nature of the defect. Transportation of the RV to and from the Service Center and/or travel expenses of the Service Center to your location is the responsibility of the owner/user. A current listing of recommended service center may be obtained from Suburban's website: www.rvcomfort.com. If you cannot locate a recommended service center locally, the service agency chosen to perform warranty repairs must contact our Service Department at 423-775-2131 for authorization before making repairs. Unauthorized repairs made will not be paid by Suburban.

LIMITATION OF WARRANTIES

ALL IMPLIED WARRANTIES (INCLUDING IMPLIED WARRANTIES OF MERCHANTABILITY) ARE HEREBY LIMITED IN DURATION TO THE PERIOD FOR WHICH EACH LIMITED WARRANTY IS GIVEN. SOME STATES DO NOT ALLOW LIMITATIONS ON HOW LONG AN IMPLIED WARRANTY LASTS SO THE ABOVE LIMITATIONS MAY NOT APPLY TO YOU. THE EXPRESSED WARRANTIES MADE IN THIS WARRANTY ARE EXCLUSIVE AND MAY NOT BE ALTERED, ENLARGED, OR CHANGED BY ANY DISTRIBUTOR, DEALER OR OTHER PERSON WHOMSOEVER.

SUBURBAN WILL NOT BE RESPONSIBLE FOR:

1. Normal maintenance as outlined in the installation, operating and service instructions owner's manual including cleaning of component parts and cleaning or replacement of the burner orifice.
2. Initial checkouts and subsequent checkouts which indicate the range appliance is operating properly, or diagnosis without repair.
3. Damage or repairs required as a consequence of faulty or incorrect installation or application not in conformance with Suburban instructions.
4. ANY DAMAGE (CRACKS, CHIPS, SCRATCHES, ETC.) TO ANY PAINTED OR PORCELAIN ENAMEL PARTS.
5. Failure to operate due to loose or disconnected wires; water or dirt in controls, fuel lines and gas tanks; improper gas pressure; low voltage.
6. Cleaning or adjustment of components; electrode, burner tube, pilot and thermocouple.
7. Costs incurred in gaining access to the range appliance.
8. Parts or accessories not supplied by Suburban.
9. Freight charges incurred from parts replacements.
10. Damage or repairs needed as a consequence of any misapplication, abuse, unreasonable use, unauthorized alteration, improper service, improper operation or failure to provide reasonable and necessary maintenance.
11. Suburban products whose serial number has been altered, defaced or removed.
12. Suburban products installed or warranty claims originating outside the Continental U.S.A., Alaska, Hawaii and Canada.
13. Damage as a result of floods, winds, lightning, accidents, corrosive atmosphere or other conditions beyond the control of Suburban.
14. ANY SPECIAL, INDIRECT OR CONSEQUENTIAL PROPERTY, ECONOMIC OR COMMERCIAL DAMAGE OF ANY NATURE WHATSOEVER. Some states do not allow the exclusion of incidental or consequential damages, so the above limitation may not apply to you.

NO REPRESENTATIVE, DEALER, RECOMMENDED SERVICE CENTER OR OTHER PERSON IS AUTHORIZED TO ASSUME FOR SUBURBAN MANUFACTURING COMPANY ANY ADDITIONAL, DIFFERENT OR OTHER LIABILITY IN CONNECTION WITH THE SALE OF THIS SUBURBAN PRODUCT.

This warranty gives you specific legal rights, and you may also have other rights which vary from state to state.

IF YOU HAVE A PRODUCT PROBLEM

FIRST:

If your RV has its original range appliance and is still under the RV manufacturer's warranty, follow the steps suggested by your dealer or manufacturer of the RV.

SECOND:

Contact a conveniently located recommended Suburban Service Center. Describe to them the nature of your problem, make an appointment, if necessary, and provide for delivery of your RV to the selected service center.

THIRD:

To obtain information on locating a local service agency, contact:

Suburban Manufacturing Company
Customer Service Department
676 Broadway Street
Dayton, Tennessee 37321
(423) 775-2131, Ext. 7101
www.rvcomfort.com



GARANTIE LIMITÉE SUBURBAN - CUISINIÈRES POUR VÉHICULES RÉCRÉATIFS

GARANTIE LIMITÉE DE DEUX ANS

Suburban garantit, au bénéfice de l'acquéreur initial, que ce produit est exempt de vices de matériau et de fabrication, lorsqu'il est soumis aux conditions normales d'utilisation pendant une période de deux ans à compter de la date d'acquisition (que l'appareil soit ou non mis en service à cette date). Les pièces émaillées, ceci incluant les grilles des brûleurs, sont également garanties comme étant commercialement acceptables à la date de fabrication du produit. C'est au consommateur/propriétaire qu'il incombe la responsabilité de faire la preuve de la période de garantie. Suburban n'utilise aucune carte d'enregistrement de garantie pour sa garantie standard. Le propriétaire d'un produit doit faire la preuve de la date d'achat au moyen de la facture de vente et autre document de paiement.

Suburban remplacera toute pièce qui s'avérerait être défectueuse au cours des deux premières années et versera directement le montant des frais de main d'œuvre au centre de service commandé Suburban, selon le tarif fixé par accord mutuel entre Suburban et ses centres de service recommandés. Les pièces de rechange seront expédiées FOB au centre de service commandé chargé d'effectuer les réparations aux États-Unis (continent et Alaska) et au Canada. Les frais de fret, expédition et livraisons sont à la charge du propriétaire du produit. Les pièces de rechange utilisées ne bénéficieront de la garantie que jusqu'à l'expiration de la garantie initiale du produit. Avant de faire effectuer des travaux sous garantie, vérifier que l'établissement d'entretien contacté est un centre de service commandé par Suburban. **NE JAMAIS PAYER LES FRAIS DE RÉPARATION À L'AGENCE DE RÉPARATION; CES PAIEMENTS NE SERONT PAS REMBOURSÉS.**

Suburban se réserve le droit d'inspecter l'appareil défectueux ou les pièces défectueuses, et le propriétaire a l'obligation de retourner les pièces défectueuses ou l'appareil défectueux à Suburban ou à son représentant. Lors de l'expédition de l'appareil défectueux, l'envoi doit inclure tous les composants de l'appareil et la plaque signalétique portant le numéro de série. Lors de l'envoi de composants défectueux, ils doivent être étiquetés individuellement et identifiés avec le numéro de modèle et le numéro de série de l'appareil, et date d'installation.

Pour obtenir le service sous garantie, le propriétaire/utilisateur de l'appareil doit contacter le plus proche centre de service commandé Suburban, et communiquer le numéro de modèle et le numéro de série de l'appareil (plaque signalétique, sous la table de cuisson), ainsi que la nature de l'anomalie observée. Les frais de transport du véhicule recréatif sont à la charge du propriétaire de l'appareil et le centre de service, ou les frais de déplacement du technicien jusqu'au lieu d'installation de l'appareil, sont à la charge du propriétaire/utilisateur de l'appareil. On peut obtenir une liste récente des centres de service recommandés par Suburban's l'adresse: www.rvcomfort.com. S'il n'y a pas de centre de service commandé local, un responsable de l'établissement choisi pour l'exécution de travaux sous garantie doit contacter notre département de service au (423) 775-2131 avant d'effectuer les réparations pour obtenir une autorisation. Suburban ne paie aucune réparation exécutée sans autorisation.

LIMITATION DES GARANTIES

PAR LA PRÉSENTE, LA DURÉE DE VALIDITÉ DES GARANTIES IMPLICITES (CECI INCLUANT LES GARANTIES IMPLICITES ACCORDÉES N'ADMETTENT PAS LA LIMITATION DE MARCHANDE) EST LIMITÉE À LA PÉRIODE DE VALIDITÉ DE CHAQUE GARANTIE ACCORDÉE. CERTAINES PROVINCES N'ADMETTENT PAS LA LIMITATION DE LA DURÉE DE VALIDITÉ DES GARANTIES IMPLICITES. PAR CONSÉQUENT LA LIMITATION CI-DESSUS PEUT NE PAS VOUS ÊTRE APPLICABLE. LES GARANTIES EXPRESSES FORMULÉES DANS CE DOCUMENT DE GARANTIE SONT LES SEULES GARANTIES ACCORDÉES; AUCUN DISTRIBUTEUR, REVENDEUR OU AUTRE PERSONNE N'EST HABILITÉ À MODIFIER LES GARANTIES EXPRESSES ACCORDÉES OU À EN ÉTENDRE LA PORTÉE.

SUBURBAN N'ASSUMERA AUCUNE RESPONSABILITÉ AU TITRE DE:

1. Entretien normal, tel que ceci est décrit dans le manuel d'installation, utilisation et entretien remis au propriétaire, ceci incluant nettoyage de composants et nettoyage ou remplacement des gicleurs de brûleur.

2. Inspection initiale et inspections ultérieures indiquant que l'appareil fonctionne correctement, ou diagnostic sans réparation.

3. Dommages ou réparations imputables à installation ou utilisation incorrecte, non conforme aux instructions de Suburban.

4. Détérioration quelconque des pièces peintes ou émaillées (fissuration, écaillage, rayures, etc.)

5. Impossibilité de fonctionnement imputable à câblage électrique déconnecté, pression de gaz incorrecte, tension insuffisante, présence d'eau ou souillures dans organes de commande, réservoir ou canalisation de gaz.

6. Nettoyage ou réglage de composant, électrode, tubes de combustion, flamme pilote ou thermocouple.

7. Coûts nécessaires pour accéder à l'appareil.

8. Pièces ou accessoires non fournis par Suburban.

9. Frais de transport relatifs aux pièces de rechange.

10. Dommages et réparations imputables à utilisation incorrecte, emploi abusif, modification ou réparation non autorisée, utilisation incorrecte de l'appareil, carence d'entretien.

11. Produit Suburban dont le numéro de série a été modifié, effacé ou détruit.

12. Produit Suburban installé ou utilisé hors des États-Unis (continent, Alaska, Hawaii) et du Canada.

13. Dommages imputables à inondation, vent, foudre, accident, atmosphère corrosive ou autres situations sur lesquelles Suburban n'a aucun contrôle.

14. DOMMAGES SECONDAIRES OU INDIRECTS MATÉRIELS, ÉCONOMIQUES OU COMMERCIAUX, QUELLE SOIT LA NATURE. Certaines provinces n'admettent pas l'exclusion des dommages secondaires ou indirects, par conséquent, la limitation ci-dessus peut ne pas vous être applicable.

AUCUN REPRÉSENTANT, REVENDEUR, DES CENTRES DE SERVICE RECOMMANDÉ OU AUTRE PERSONNE N'EST HABILITÉ À SOUSCRIRE AU NOM DE SUBURBAN MANUFACTURING COMPANY, DES ENGAGEMENTS OU OBLIGATIONS ADDITIONNELS OU DIFFÉRENTS EN RAPPORT AVEC LA VENTE DE CE PRODUIT SUBURBAN.

Cette garantie vous confère des droits juridiques spécifiques; vous pouvez également jouir d'autres droits, variables d'une province à une autre.

SI UN PROBLÈME SE MANIFESTE

UN:

Si le V.R. est encore équipé de son appareil d'origine et s'il est encore couvert par la garantie du constructeur du V.R., procéder conformément aux instructions du concessionnaire ou constructeur de votre véhicule recréatif.

DEUX:

Contacter le plus proche centre de service Suburban recommandé. Décrire la nature du problème; prendre rendez-vous si c'est nécessaire et organiser la livraison de votre véhicule recréatif au centre de service choisi.

TROIS:

Pour obtenir l'adresse d'un centre de service local, contacter:
Suburban Manufacturing Company
Département service-client
676 Broadway Street
Dayton, Tennessee 37321
(423) 775-2131, Ext. 7101
www.rvcomfort.com

INSTRUCTIONS D'UTILISATION

1. Savoir quel brûleur est commandé par chaque bouton de commande. Veiller à toujours utiliser le bouton de commande approprié.

2. Appuyer sur le bouton et faire tourner le bouton complètement dans le sens antihoraire jusqu'à la position "Lite".

a. Vérifier que le gaz arrive en quantité suffisante avant d'essayer d'allumer le brûleur. La présence d'air dans la canalisation retardera sensiblement l'allumage du brûleur. L'utilisateur pourra ainsi subir une brûlure lors de l'inflammation inattendue du gaz. De l'air peut s'introduire dans la canalisation de gaz lors d'un changement/remplissage de la bouteille de gaz, lors d'une opération d'entretien effectuée sur un appareil alimenté par la même canalisation, etc.

b. Allumer un seul brûleur à la fois.

c. Tenir une longue allumette près des ouvertures pour allumer instantanément le brûleur.

MISE EN GARDE : Il est possible d'utiliser un briquet à gaz, s'il est d'un type conçu pour les brûleurs à flamme nue.

3. Si un brûleur s'éteint après l'allumage initial ou accidentellement, fermer l'arrivée de gaz: faire tourner le bouton dans le sens horaire jusqu'à la position "arrêt", attendre cinq (5) minutes avant d'essayer d'allumer de nouveau le brûleur. Le non-respect de ces instructions pourrait provoquer un incendie ou explosion.

Si le brûleur s'éteint au cours d'une cuisson, ou si une odeur de gaz est perceptible, faire tourner le bouton dans le sens horaire jusqu'à la position "arrêt", attendre cinq (5) minutes pour que l'odeur de gaz disparaisse. Si l'odeur de gaz persiste, ne pas allumer de nouveau le brûleur. Voir en premier la page de ce manuel la section "Que faire si une odeur de gaz est perceptible".

4. Pour éteindre un brûleur, faire tourner le bouton de commande approprié dans le sens horaire jusqu'à la position "arrêt", "off".

AVERTISSEMENT : Veiller à ce que chaque bouton de commande soit à la position d'arrêt "off" lorsqu'un brûleur n'est pas utilisé. Si un brûleur est laissé allumé par accident ou laissé sans surveillance même momentanément, quelqu'un pourrait subir une brûlure ou un incendie pourrait se déclarer.

AVERTISSEMENT ! Si l'utilisateur de cet appareil néglige de le maintenir dans les conditions dans lesquelles il a été expédié de l'usine ou si l'appareil est utilisé intentionnellement dans un but autre que celui pour lequel il a été conçu, ou si l'appareil n'est pas maintenu en état selon les instructions contenues dans ce manuel, il existe alors un risque d'incendie et/ou de production de monoxyde de carbone se fera, ce qui peut causer des blessures corporelles, dommages aux biens ou la mort.

ENTRETIEN

1. Avant d'entreprendre un nettoyage, vérifier que tous les boutons de commande sont à la position "Off" et que les surfaces de la table de cuisson et du four sont froides.

2. Avant d'entreprendre un nettoyage ou démontage de la table de cuisson, vérifier que toutes les surfaces de la table de cuisson, les grilles de brûleur et les brûleurs sont froids.

3. Ne pas utiliser un produit de nettoyage de four, agent de blanchiment ou produit antirouille sur la table de cuisson ou les grilles de brûleur.

4. Ne pas entraver l'arrivée d'air de combustion et de ventilation.

5. Après un renversement de produits alimentaires, nettoyer toutes les surfaces de l'appareil dès que c'est possible.

6. Utiliser de l'eau savonneuse tiède pour nettoyer grilles de brûleur, table de cuisson, surfaces peintes, surfaces émaillées, surfaces en acier inoxydable ou articles de plastique de la table de cuisson. Ne jamais utiliser un produit de nettoyage acide ou abrasif.

7. Ne jamais utiliser de laine d'acier ou un produit de nettoyage abrasif. Ces produits endommageront la finition de la table de cuisson. Utiliser uniquement un tampon à récurer de plastique, non-abrasif.

8. Ne pas laisser séjourner sur les surfaces peintes ou émaillées des aliments contenant des acides (citron, jus de tomate, vinaigre). Les acides peuvent dégrader la finition lustrée.

9. Ne pas laver les surfaces émaillées chaudes. Laisser ces surfaces refroidir avant de les nettoyer. On pourrait se brûler ou provoquer la fissuration de l'émail.

10. Le séjour prolongé de produits alimentaires renversés sur l'acier inoxydable provoque des changements de teinte et une corrosion fine.

11. Ne pas laisser des produits alimentaires renversés séjourner sur les chapeaux de brûleur. Des taches permanentes resteraient sur les chapeaux de brûleur.

12. En cas d'obstruction du gicleur ou des orifices d'un brûleur, éliminer prudemment l'obstruction avec un petit fil de métal ou une aiguille. Assurez-vous de ne pas élargir les gicleurs ou orifices. Ne jamais utiliser une brosse métallique pour ce nettoyage. Ne jamais utiliser un pinceau à soies fragiles, dont les soies pourraient rester bloquées dans le gicleur ou dans le brûleur, ceci pourrait ensuite provoquer un incendie ou une explosion.

DÉPOSE DE LA PLAQUE SUPÉRIEURE

1. Ôter les deux (2) vis manuelles sur les côtés de la table de cuisson. Soulever la plaque supérieure pour la séparer de la boîte des brûleurs.

2. Pour la réinstallation, procéder dans l'ordre inverse.

DÉPOSE DE LA GRILLE

1. Déposer la plaque supérieure.

2. Sur les modèles à grilles en acier rond, serrer les côtés opposés de la grille l'un vers l'autre et lever la table de cuisson.

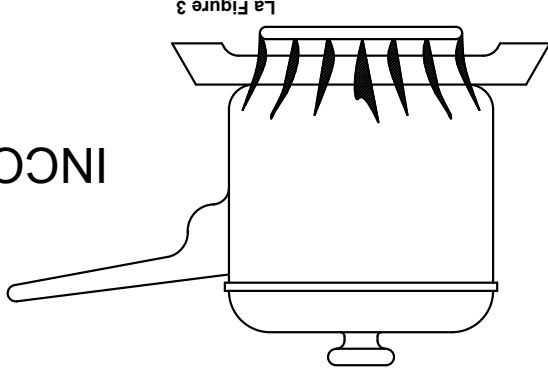
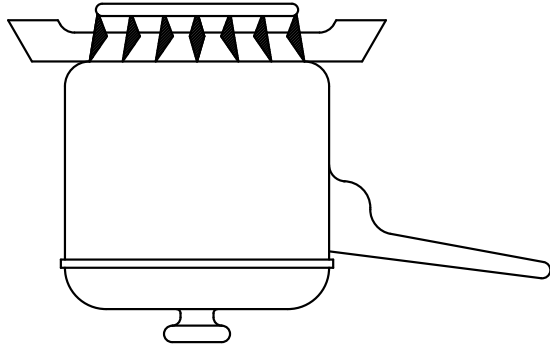
3. Pour réinstaller la grille, procéder dans l'ordre inverse.

Aux fins de sécurité et de protection des utilisateurs, il convient de respecter les directives importantes présentées ci-dessous.

1. Demander au vendeur de l'appareil d'indiquer où se trouve le robinet principal de fermeture de l'arrivée de gaz, et de montrer comment le fermer en cas d'urgence.
2. Utiliser la table de cuisson uniquement pour l'application prévue.

Avertissement : NE JAMAIS utiliser cet appareil en tant que générateur de chaleur pour réchauffer une pièce, sinon, il y a risque d'empoisonnement au monoxyde de carbone ou risque de surchauffe de l'appareil.

3. Si la table de cuisson est placée près d'une fenêtre, exercer les précautions appropriées pour que le vent ne puisse pousser les rideaux jusqu'aux brûleurs, ce qui susciterait un risque d'incendie.
4. Veiller à ce qu'il n'y ait jamais de matière combustible, essence ou autre produit inflammable liquide ou gazeux, au voisinage de la table de cuisson.
5. Ne pas laisser des enfants seuls ou sans supervision au voisinage de la table de cuisson en fonctionnement. Les brûleurs, les grilles de brûleurs et autres surfaces voisines des brûleurs deviennent très chaudes, et peuvent provoquer de graves brûlures.
6. Faire comprendre aux enfants que la table de cuisson n'est pas un jouet. Ils ne doivent jamais être autorisés à jouer avec les organes de commande ou autres composants de l'appareil.
7. Ne jamais installer les enfants dans les placards situés au-dessus ou à proximité de l'appareil. Un enfant qui grimperait sur l'appareil pour atteindre un objet pourrait subir de graves blessures.
8. Ne pas porter des vêtements amples ou à manches longues très amples lors de l'utilisation de l'appareil. Ces vêtements pourraient s'enflammer au contact de la flamme d'un brûleur, et provoquer de graves blessures.
9. Pour manipuler un ustensile chaud, utiliser uniquement des maniques sèches. L'emploi de maniques humides sur une surface chaude pourrait faire subir des brûlures aux mains. Ne pas utiliser comme manique une serviette ou unlinge volumineux. Un tel article pourrait s'enflammer au contact de la flamme.
10. Ne jamais chauffer un récipient fermé (boîte de conserve). L'accumulation de pression à l'intérieur du récipient pourrait provoquer son explosion.
11. Veiller à la propreté de l'appareil. Toute accumulation de graisse ou produits alimentaires renversés peut susciter un risque d'incendie.
12. Éviter d'utiliser la table de cuisson ou un autre appareil si une odeur de gaz est perceptible. Ne jamais considérer qu'une odeur de gaz dans le V.R. est normale. Chaque fois qu'une odeur de gaz est perceptible, on doit la considérer comme une menace et en rechercher immédiatement la cause. Éteindre toute flamme nue, y compris les cigarettes, et faire sortir du véhicule toute personne comme nue, y compris les cigarettes, et faire sortir du véhicule toute personne



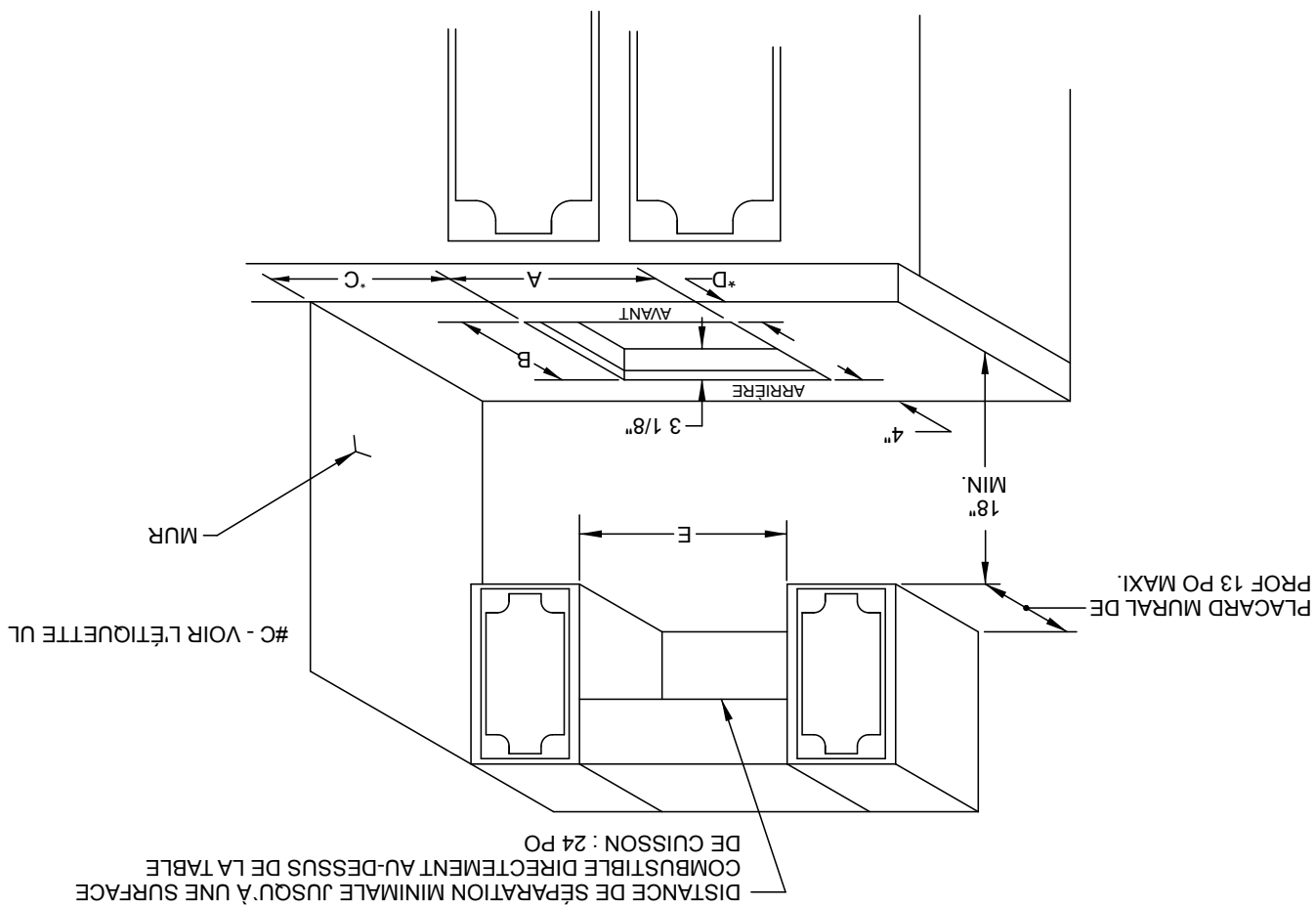
si s'y trouve. Fermer le robinet de la bouteille de propane (voir l'avertissement de sécurité en première page de ce manuel).

13. Orienter la poignée de chaque ustensile vers l'intérieur ou vers l'arrière de la table de cuisson pour que des enfants ne puissent l'atteindre ou pour qu'une personne passant devant l'appareil ne la heurte pas. Veiller à ce que la poignée d'un ustensile ne soit jamais au-dessus d'un brûleur.
14. Ne pas essayer d'éteindre un feu de graisse avec de l'eau. Ne jamais saisir un ustensile enflammé. Pour éteindre un feu qui s'est déclaré dans un ustensile, placer un couvercle plat sur l'ustensile. Pour éteindre un feu de graisse hors d'un ustensile, utiliser du bicarbonate de sodium ou un extincteur polyvalent à produit chimique sec.
15. Ne jamais laisser l'appareil sans surveillance lorsqu'un brûleur est allumé.

- a. Un brûleur peut s'éteindre sous l'effet d'un courant d'air suscité par l'ouverture ou la fermeture d'une porte ou de la porte d'un placard dans le véhicule et/ou sous l'effet d'une différence de pression d'air positive ou négative imputable à une installation incorrecte (voir le paragraphe 6 sous installation). Après l'extinction accidentelle d'un brûleur, le gaz continuerait à s'écouler et ceci provoquerait la formation d'un mélange explosif dans le V.R. Ne pas oublier que l'allumétation en gaz de chaque brûleur est commandée manuellement. On doit placer le robinet de commande d'un brûleur à la position de marche "NO" ou à la position d'arrêt "OFF".
 - b. L'ébullition du contenu d'un ustensile pourrait provoquer un débordement et l'inflammation du produit renversé.
16. Taille des flammes
 - a. Régler toujours un brûleur de telle manière que les flammes ne dépassent pas la périphérie de l'ustensile. Le dépassement des flammes au-delà de l'ustensile suscite un gaspillage de chaleur et d'énergie.
 - b. La taille de flamme correcte à utiliser dépend de la taille et du matériau de l'ustensile, et de la nature du contenu (liquide, solide, etc.).
 17. Pour éviter d'endommager la table de cuisson, un brûleur ou une grille, ne jamais faire fonctionner un brûleur en l'absence d'un ustensile de cuisson. On ne doit pas faire fonctionner les brûleurs de la table de cuisson, particulièrement le brûleur de haute puissance (le cas échéant), à la puissance maximale durant une période prolongée.

Régler pour obtenir une puissance de chauffage élevée au début seulement, puis réduire la puissance de chauffage pour poursuivre la cuisson. Ne jamais utiliser un ustensile de cuisson qui déborde de la grille de plus de 25 mm, ou qui repose sur deux brûleurs allumés de la table de cuisson; ceci provoquerait un échauffement excessif qui ferait subir des dommages à la table de cuisson, au brûleur ou à la grille.

La Figure 2



SÉCURITÉ

comptoir de cuisine qui indique clairement le poids maximum qui peut être ajouté au comptoir de cuisine indépendamment après l'installation (ceci doit tenir du poids de l'unité de cuisson, à savoir 20lb).

PAR EXEMPLE: Le support de fixation est prévu pour 100 lb. Le constructeur de matériel doit peser le comptoir fabriqué. Soustraire le poids du comptoir (20 lb.) et le poids de l'unité de cuisson (20 lb.) des 100 lb. L'étiquette de poids devrait mentionner qu'il ne faut pas placer plus de 60 lb. sur le comptoir.

c. Le matériau de surface pour le comptoir doit supporter une température de fonctionnement continu d'au moins 200° F avec le poids maximum appliqué.

d. Les distances de dégagement minimales avec les parois combustibles au-dessus et sous le comptoir doivent être respectées pendant le fonctionnement.

e. Le constructeur de matériel doit fournir une étiquette placée sur le comptoir de cuisine qui exige que l'unité ait refroidi au moins 30 minutes après utilisation avant le remisage.

f. Pendant le remisage, un dégagement minimum de 1 po doit être maintenu à partir de la surface supérieure de l'unité.

g. REMARQUE: L'alimentation en gaz doit être sur "OFF" (Arrêt) et débranchée pendant le remisage.

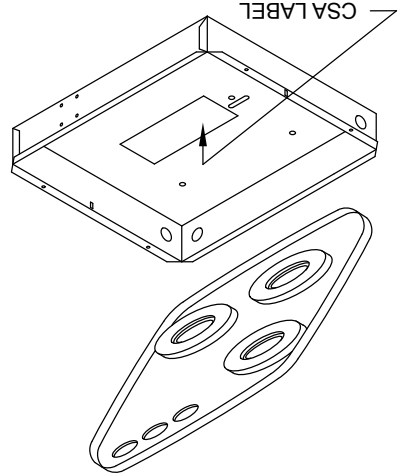
1. Cette table de cuisson encastrable a été homologuée par CSA aux E.-U. et au Canada, pour l'alimentation au propane.

2. Modèle de cette table de cuisson : SDN2 ou SDN3.

3. Identification du modèle :
 S - Suburban
 D - Encastrement
 N - Nouvelle Conception
 # - Nombre de brûleurs

4. On trouve sur l'étiquette CSA (au fond de la table de cuisson) le numéro de modèle, le numéro de série, et le numéro de stock. Cette information sera nécessaire pour toute commande de pièces ou demande de services d'entretien. Noter l'information ci-dessous pour qu'elle soit toujours disponible. Pour commander des pièces de rechange, contacter un concessionnaire ou centre de service Suburban local. Pour obtenir l'adresse d'une agence d'entretien locale, contacter Suburban Manufacturing Company, département service-client, au 423-775-2131.

N° de modèle _____
 N° de série _____
 N° de stock _____
 Date d'achat _____



La Figure 1

5. La conception de cet appareil est homologuée seulement pour l'alimentation au gaz propane. Ne pas entreprendre une conversion pour l'alimentation au gaz naturel.

6. Lors d'un contrôle du réglage du détendeur, utiliser une pression de gaz de au moins 1 po (colonne d'eau) à la pression de réglage suggérée. Pression d'alimentation minimum - 11 po (colonne d'eau) Pression d'alimentation maximum - 14 po (colonne d'eau)

INSTALLATION

AVERTISSEMENT! L'installation de cet appareil doit être exécutée en conformité avec les instructions écrites fournies dans le manuel. Aucun agent-représentant ou employé de Suburban ou autre personne, n'a l'autorité pour changer, modifier ou déroger au contenu des instructions fournies dans ce manuel.

1. Aux E.-U., l'installation doit satisfaire les prescriptions des codes d'état ou autres codes; en l'absence de tels codes, consulter la dernière édition de :

- a. Standard for Recreational Vehicles NFPA 1192. (norme pour véhicules récréatifs)
- b. National Fuel Gas Code ANSI Z223.1/NFPA 54 (code national des installations à gaz)

Au Canada, l'installation doit satisfaire les prescriptions de :

- a. Norme CAN/CSA Z-240.4-2-08, installation des équipements et appareils à propane dans les véhicules récréatifs.
- b. Tout règlement ou code local en vigueur.

2. Dégagements de séparation des murs - valeurs à respecter au-dessus et au-dessous du plan de travail.

Sous le plan de travail	Entre l'axe des brûleurs et un matériau combustible vertical adjacent au-dessus des brûleurs de la table de cuisson	Côtés, arrière	Mur latéral à droite	Mur latéral à gauche	Mur arrière
		SDN2	0 po	5 7/8 po	5 7/8 po
SDN3	0 po	5 5/8 po	6 po	8 po	

3. Dimensions pour l'ouverture à découper - Voir figure 2.

Modèles	A	B	C*	D*	E
SDN3	18 15/16	16 1/8	2 1/16	2 3/8 po min.	21 po

*Distance de séparation minimale admissible de 3 po entre deux appareils adjacents.

MISE EN GARDE: La table de cuisson doit être installée de manière à éliminer le besoin pour l'utilisateur de s'élever au-dessus d'un des éléments pour atteindre les boutons.

4. Avant d'insérer la table de cuisson dans la cavité destinée à la recevoir, déterminer lequel des trois opercules arrachables de la boîte des brûleurs (côté gauche, côté droit ou arrière) sera utilisé pour l'achèvement de la canalisation d'arrivée de gaz jusqu'au détendeur. Attacher l'opercule de 1 po approprié. Insérer la table de cuisson dans la cavité d'installation préparée; fixer la table de cuisson au placard avec quatre (4) vis à bois (non fournies).

5. Acheminer la canalisation de gaz à travers l'ouverture de la boîte des brûleurs et raccorder la canalisation de gaz sur le raccord évasé 3/8 po à l'intérieur de la boîte des brûleurs. Enfiler un obturateur de nylon sur la canalisation de gaz et insérer l'obturateur dans l'ouverture de la boîte des brûleurs.

MISE EN GARDE : Utiliser uniquement du tube métallique rigide ou semi-rigide pour le raccordement de la cuisinière.

6. Lors de l'installation, veiller à sceller l'ouverture de passage de la canalisation de gaz dans le placard.

MISE EN GARDE : Il est impératif que le placard dans lequel l'appareil est installé soit séparé des autres appareils, de telle manière que l'alimentation en air de combustion des brûleurs ne soit jamais perturbée par le fonctionnement d'un appareil de chauffage à air pulsé ou son système d'alimentation, ou par toute autre source de pression d'air positive ou négative. Une dépression créée par un autre appareil à faire subir des dommages aux brûleurs et à la table de cuisson, ainsi qu'au véhicule, et éventuellement provoquer des dommages corporels. Un courant d'air sous pression positive peut provoquer l'extinction d'un brûleur qui serait ensuite suivi d'un débit de gaz non contrôlé. Des que le mélange air/gaz qui se formerait ainsi atteindrait une source d'inflammation quelconque, l'explosion qui en résulterait provoquerait des dommages matériels et corporels, voire un accident mortel.

7. Vérifier que les boutons de commande des brûleurs sont à la position d'arrêt "Off". Ouvrir l'arrivée de gaz. Inspecter toutes les connexions pour rechercher les fuites.

AVERTISSEMENT: Ne jamais utiliser une flamme nue ou autre source d'inflammation lors de l'inspection de recherche des fuites. Appliquer de l'eau savonneuse sur tous les joints pour déterminer une éventuelle formation de bulles.

NOTE: Lors de tout test de pressurisation du système à une pression de test supérieure à 1/2 lb/pc² rel., l'appareil doit être déconnecté de la canalisation d'alimentation en gaz.

8. Retirer la plaque supérieure et la/les grille(s) de leur emballage - installer la grille sur la table de cuisson.

9. Positionner la plaque supérieure par-dessus les brûleurs; immobiliser la plaque supérieure avec deux (2) vis manuelles avec rondelle de nylon (fournies).

10. La table de cuisson à encastrier Suburban est maintenant prête à fonctionner. Avant de l'utiliser, lire les instructions de sécurité et instructions d'utilisation présentées dans ce manuel.

11. Si l'installation de ce produit se fait sur un comptoir de cuisine indépendant, il faut suivre les directives supplémentaires suivantes lors de l'installation:

- a. Le comptoir de cuisine indépendant est fourni par l'installateur et doit être capable de supporter un poids minimum de 20 lb.
- b. Le constructeur de matériel doit fournir une étiquette placée sur le

**MANUEL D'INSTALLATION, UTILISATION
ET ENTRETIEN
VÉHICULES RÉCRÉATIFS
TABLE DE CUISSON
Modèles
SDN2 • SDN3**



POUR VOTRE SÉCURITÉ
AVERTISSEMENT: SI LES INSTRUCTIONS PRÉSENTÉES DANS CE MANUEL NE SONT PAS SCRUPULEUSEMENT RESPECTÉES, UN INCENDIE OU UNE EXPLOSION PROVOQUANT DES DOMMAGES MATÉRIELS OU CORPORELS, VOIRE UN ACCIDENT MORTEL, PEUT SE PRODUIRE.

NE PAS REMISER OU UTILISER AU VOISINAGE DE CET APPAREIL OU D'UN AUTRE APPAREIL MÈNAGER DE L'ESSENCE OU TOUT AUTRE PRODUIT GAZEUX OU LIQUIDE SUSCEPTIBLE DE S'ENFLAMMER.

- QUE FAIRE SI UNE ODEUR DE GAZ EST PERCEPTIBLE**
- NE PAS ESSAYER DE METTRE EN MARCHÉ UN APPAREIL QUELCONQUE. ÉTEINDRE TOUTE FLAMME NUE, Y COMPRIS LES CIGARETTES.
 - FAIRE SORTIR DU VÉHICULE TOUTE PERSONNE QUI S'Y TROUVE.
 - NE PAS METTRE EN MARCHÉ LE MOTEUR DE VÉHICULE OU UN GÉNÉRATEUR ÉLECTRIQUE.
 - NE TOUCHER AUCUN COMMUTATEUR ÉLECTRIQUE (Y COMPRIS POUR L'ÉCLAIRAGE) ET NE PAS UTILISER UN APPAREIL TÉLÉPHONIQUE OU DE RADIO DANS LE VÉHICULE.
 - FERMER LE ROBINET DE GAZ (BOUTEILLE DE GAZ), OU LA SOURCE D'ALIMENTATION.
 - CONTACTER IMMÉDIATEMENT LE FOURNISSEUR DE GAZ À PARTIR DU TÉLÉPHONE
 - D'UN VOISIN. EXÉCUTER LES INSTRUCTIONS DU FOURNISSEUR DE GAZ. S'IL N'EST PAS POSSIBLE DE CONTACTER LE FOURNISSEUR DE GAZ, CONTACTER LES POMPIERS.
 - NE PAS RÉTABLIR L'ALIMENTATION EN GAZ AVANT QUE TOUTE FUITE DE GAZ AIT ÉTÉ ÉLIMINÉE.

LES OPÉRATIONS D'INSTALLATION ET D'ENTRETIEN DOIVENT ÊTRE EXÉCUTÉES PAR UN INSTALLATEUR QUALIFIÉ OU LE PERSONNEL D'UNE AGENCE D'ENTRETIEN OU DU FOURNISSEUR DE GAZ.

IMPORTANT

INSTALLATEUR: REMETTRE CE MANUEL AU PROPRIÉTAIRE/UTILISATEUR DU VÉHICULE RÉCRÉATIF.
PROPRIÉTAIRE: CONSERVER CES INSTRUCTIONS ET LE DOCUMENT DE GARANTIE POUR RÉFÉRENCE. LIRE ATTENTIVEMENT CE MANUEL AVANT D'UTILISER L'APPAREIL. RESPECTER TOUTS LES AVERTISSEMENTS ET MISES EN GARDE CONCERNANT LA SÉCURITÉ.



SUBURBAN MANUFACTURING COMPANY
 676 Broadway Street
 Dayton, Tennessee 37321
 423-775-2131
 Fax: 423-775-7015
www.rvccomfort.com