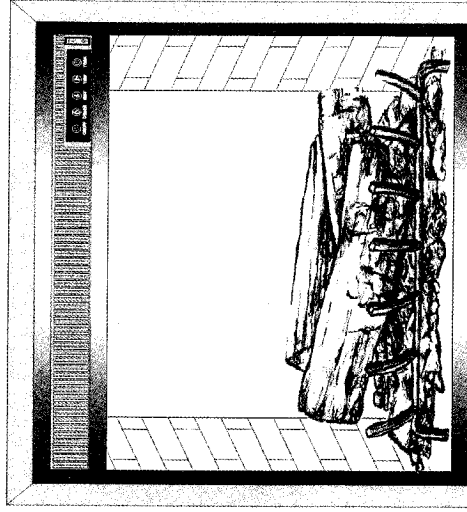


23" Curve LED Insert Electric Fireplace

Model# EF-30A



▲ CONSUMER SAFETY INFORMATION

- Read this manual before installing and operating this appliance
- Failure to follow these instructions may result in electric shock, fire property damage, or personal injury
- Do not store or use gasoline or other flammable liquids in vicinity of this appliance.



IMPORTANT INSTRUCTIONS:

When using electrical appliances, basic precautions should always be followed to reduce the risk of fire, electric shock, and injury to persons, including the following:

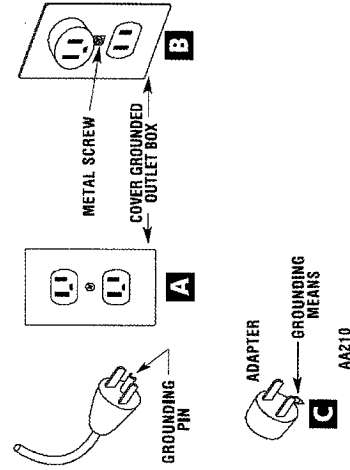
1. Read all instructions before using this electric fireplace.
2. This heater is hot when in use. To avoid burns, do not let bare skin touch hot surfaces. The trim around the heater becomes hot while in operation. If provided, use handles when moving this electric fireplace. Although this unit has been tested to zero clearance, to prevent possible fires, do not partially or fully cover or obstruct the front of this heater.
3. Extreme caution is necessary when any heater is used by or near children or invalids and whenever the heater is left operating and unattended.
4. Always unplug heater when not in use.
5. Do not operate any heater with a damaged cord or plug or after the heater malfunctions, has been dropped or damaged in any manner. Return heater to authorized service facility for examination, electrical or mechanical adjustment, or repair.
6. Do not use outdoors, intended for indoor use only.
7. This heater is not intended for use in bathrooms, laundry areas and similar indoor locations. Never locate heater where it may fall into a bathtub or other water container.
8. Do not run cord under carpeting. Do not cover cord with throw rugs, runners, or similar coverings. Arrange cord away from traffic area and where it will not be tripped over.
9. Do not allow the mains cable to hang over sharp edges or come into contact with hot surfaces.
10. To disconnect heater, turn controls to off, then remove plug from outlet.
11. Connect to properly grounded outlets only.
12. Do not insert or allow foreign objects to enter any ventilation or exhaust opening as this may cause an electric shock of fire, or damaged the heater.
13. To prevent a possible fire, do not block air intakes or exhaust in any manner. Do not use on soft surface, like a bed, where openings may become blocked.
14. A heater has hot and arcing or sparking parts inside. Do not use it in areas where gasoline, paint, or flammable liquids are used or stored.
15. Use this heater only as described in this manual. Any other use not recommended by the manufacturer may cause fire, electric shock, or injury to persons.
16. Avoid the use of an extension cord because the extension cord may overheat and cause a risk of fire.

• SAVE THESE INSTRUCTIONS.

SAFETY INSTRUCTIONS:

- Before connecting this Electric Fireplace to a power supply, please make sure the voltage marked on this unit corresponds to the supply.
- This heater is not intended for use by persons (including children) with reduced physical, sensory or mental capabilities, or lack of experience and knowledge.
- Children should be supervised to ensure that they do not play with this heater.
- If the cord is damaged, to prevent danger, this must be replaced by qualified electrician.
- When you are away, turn the controls off, then remove plug from outlet.
- Keep out of reach of children and do not allow them to operate this heater.
- Only use this fireplace as described in this manual. Any other use is not recommended, and may cause fire, electrical shock, or personal injury.
- Do not alter or modify this fireplace in any manner.
- Position the fireplace in a location near an electrical outlet so the use of an extension cord is not needed. If an extension cord must be used, it must be a minimum of 14A WG and is rated for 1875 watts. The extension cord must be a 3-prong grounding type plug and should not exceed 20' in length.
- This fireplace must be electrically grounded in accordance with local codes.
- This fireplace is to be used on a 120 V, 15 AMP grounded circuit.
- Do not use in an outlet that is controlled by a switch or dimmer switch.
- The cord supplied with the heater is equipped with 3-blade plug. The round pin on the plug is for grounding purposes. If a 3-slot outlet is not available, and adapter must be used. The adapter must be properly grounded to outlet box. (See Fig. 1)
- To avoid circuit overload, do not plug any other appliances into the same circuit as the fireplace.
- If the breaker trips when the appliance is running, you may need to move the appliance to another location or unplug other appliances that are on the same circuit.

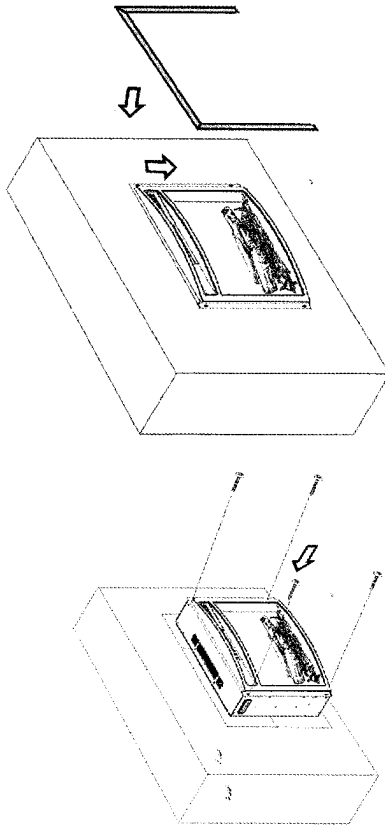
(Figure 1)



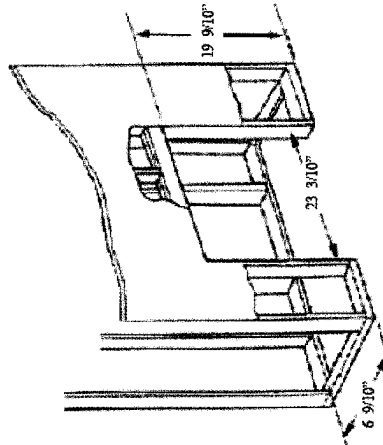
Note: Adapters are NOT for use in Canada.

INSTALLATION INSTRUCTIONS:

- Step 1 Locate the final location of your fireplace. Make sure that you have clear access to a grounded electrical outlet.
- Step 2 Slide insert into mantel from front. Center insert in opening with trim flush against side of the mantel. Thread four screws through holes in bracket and into mantel frame. Check insert alignment and tighten all screws securely with a Phillips screwdriver.
- Step 3 Clip the removable trim frame onto the fireplace bracket.



Fireplace Installation:



4

OPERATING INSTRUCTIONS:

Read all instructions and warnings prior to operating the appliance. Ensure that all controls are in the "OFF" position before plugging the appliance in to a properly grounded electrical outlet.

TO ACCESS CONTROL PANEL



Control panel can be accessed at upper-right corner of insert.



- MASTER POWER BUTTON

Push the master power button once to connect main power, push the master power button once again to turn main power off



- POWER ON/OFF BUTTON

Push the power button once (indicator light will come on) to supply power for all of the functions. Push button once again to turn all functions off.



- DIMMER BUTTON

Flame brightness. Each time the dimmer button is pressed, the intensity of the flame decreases. There are 5 brightness levels you can cycle through and the OFF setting



- HEAT BUTTON

This fireplace insert consists of a fan forced electric heater with two heat settings, 750 watts or 1,500 watts. For low heat, push the temperature button once (indicator light on will illuminate). For high heat, push the temperature button a second time (indicator light will illuminate).



- TEMPERATURE BUTTON

Temperature setting. The highest temperature of the thermostat is 82F. There are several thermostat levels you can cycle through between 62F and 82F, and the OFF setting.

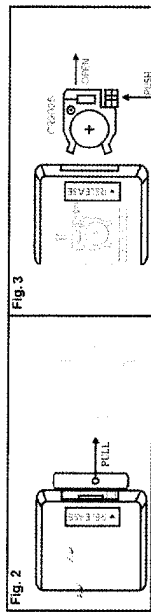
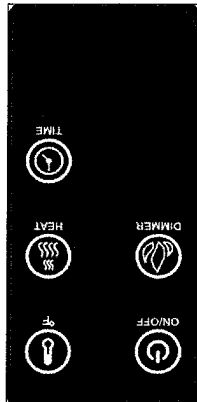


- TIMER BUTTON

Timer setting. Press the TIMER button to cycle through the timer settings (1 Hour, 2H, 3H, 4H, 5H, 6H, 7H, and 8H) and the OFF setting.

5

Infrared Remote Control:



Remote control requires one 3V CR2025 Lithium Cell Battery (included). Remove the protective sheet between the battery and the contacts in order to operate (see Fig. 2 and Fig. 3).

REPLACING THE REMOTE CONTROL BATTERY

When the remote control stops operating or its range seems reduced, it is time to replace the battery with a new one.

1. The battery compartment is located on the back end of the remote.
 2. Press and slide the battery door open and remove the old battery.
 3. Insert a CR2025 battery, checking that the "+" and "-" terminals of the battery matches the inside of the battery compartment.
 4. Replace the battery compartment door.
- DO NOT mix old and new batteries.
DO NOT use rechargeable silver oxide cell batteries with remote control unit.
DO NOT mix alkaline, standard (Carbon-Zinc), or rechargeable (Nickel-Cadmium) batteries.
DO NOT dispose of batteries in fire. Improper disposal may cause batteries to leak or explode.

OPERATING INSTRUCTIONS:

The fireplace features separate controls for flame effect and for heater control. This allows you to operate the unit in two different modes:

- As a full-featured fireplace - both flame effect and heater are on.
- As a visual effect - only the flame effect is on, the heater is off.

CARE AND MAINTENANCE:

Overheat protection safety device

This electric fireplace unit is equipped with a Temperature limiting control device. Should the heater reach an unsafe temperature, the heater will automatically turn OFF. To Reset:

1. Turn the ON/OFF switch on the control panel to OFF, Wait 15 minutes
2. Unplug the power cord from the outlet
3. Inspect the fireplace to make sure no vents are blocked, or clogged. If they are, remove all debris and use a vacuum to clean the vent areas.
4. With the Power switch in the OFF position, plug the power cord back into the outlet
5. If it switches off again, Unplug The Heater Right Away! Have the outlets, wiring, and breaker box inspected by a professional. Make necessary repairs before using the heater again.

LED Bulb Replacement

Note: The flame effect on this electric fireplace insert is created by LED Bulbs.

The life of these LED bulbs will be 100,000 hours. The users are not recommended to Replace the LED Bulbs. For any reason should the bulbs stop working properly, contact a qualified technician.

Cleaning:

- Turn heater OFF and unplug from electrical outlet before any cleaning or maintenance is performed. Wait at least 10 minutes to allow all components to cool properly.
- Use a vacuum or duster to keep heat and vent area clean from dust and dirt.
- The exterior of the fireplace should be cleaned with a damp cloth or duster. Do not use abrasive cleaners or liquid sprays.

▲ WARNINGS AND CAUTIONS

WARNING To avoid electrical shock not open the back panel of the insert unless the power has been turned off, and the insert has been unplugged.

WARNING Any electrical repairs to this electric fireplace, should only be performed by a qualified technician.

WARNING Any electrical wiring repairs should only be performed by a qualified technician, and also must comply with local building codes.

WARNING Discontinue use of this electric fireplace if any of the follow has occurred: Water damage, if insert has been dropped or dented, if power cord has become broken, if power cord becomes hot to touch, if unit smokes or smells like smoke.

NOTE: When the heat function is used for the first time, a slight odor may be present. This is normal and should not occur again unless heater is not used for extended periods of time and dust is allowed to accumulate on heater element.

Technical Specification

Supply: 120V~60Hz

Rated power: 1500W