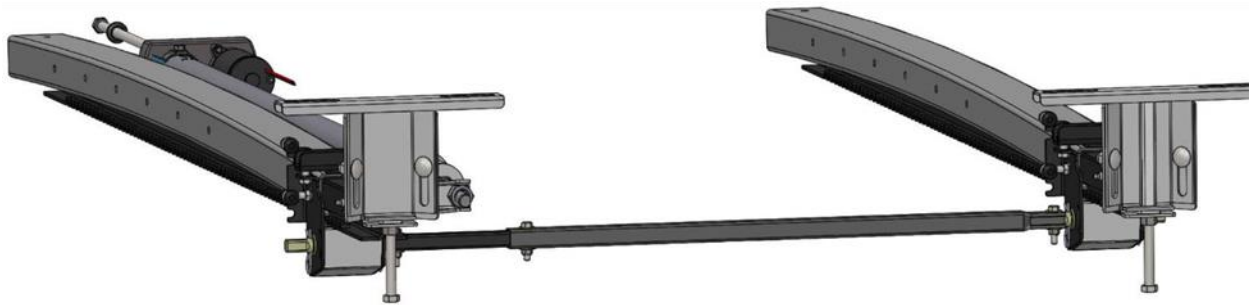




BAL[®]

NXG SLIDE

The Next Generation in Slide-out Technology

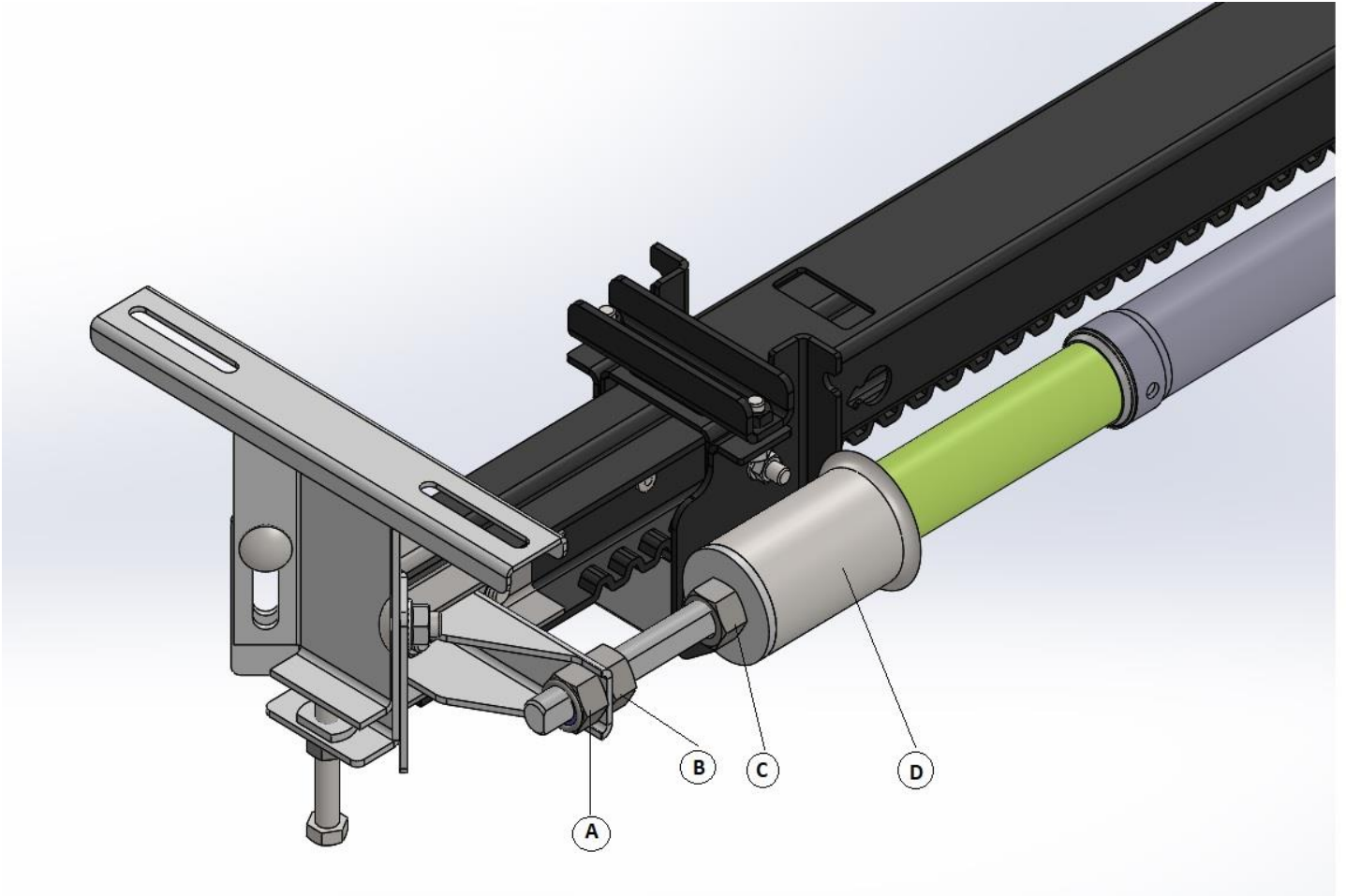


BAL NXG Through Frame (Extend and Retract) Slide-out Adjustments

Adjusting the Slide Room to the Extended Position

1. Using the switch, extend the slide-out room to the desired position. Be careful not to overextend the slide-out room.
2. Loosen the bracket jam nut (B) on the back of the end condition using a 1 1/8" wrench. Be sure to back this nut off enough to allow the electric actuator to extend fully and clutch out without moving the actual slide-out room.
3. Using the switch, fully extent the actuator. You will hear the actuators clutching mechanism when it is fully extended.
4. Tighten the Nylock adjustment nut (A) down to the front of the end condition bracket using a 1 1/16" wrench.
5. Tighten the 1 1/8" jam nut (B) down to the back of the end condition bracket.
6. Verify the slide-out is sealed properly in the extended position.





Adjusting the Slide Room to the Retracted Position

1. Loosen the 1 1/8" stop can jam nut (C) using a 1 1/8" wrench.
2. Adjust the stop can jam nut (C) and the stop can (D) away from the main frame rail, allowing enough clearance for the actuator to pull the slide-out room into the desired retracted position.
3. Using the switch, retract the slide-out room to the desired sealed position.
3. When the room is fully retracted and properly sealed adjust the stop can (D) so it is tight against the main frame rail.
4. Tighten down the 1 1/8" jam nut (C) against the stop can to lock the stop can in place.
5. Verify the slide-out is sealed properly in the retracted position.



